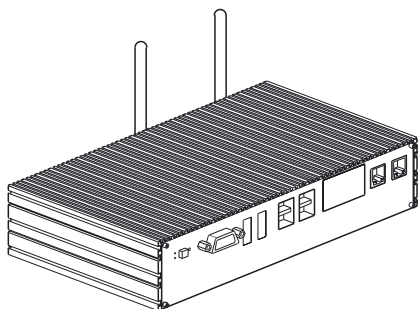


## SERVERS

### Large server (Cat. No: 659182)



- Server unit (x 1)
- Antenna (x 2)
- Mains power supply adapter and cable - Black (x 1)
- Connectors - Green (x 3)
- Mounting bracket (x 2)
- Mounting screws (x 4 pcs)

#### Power button LED indicator

- Amber - Standby power
- Blue - Power ON
- OFF - Power OFF

#### HDD LED

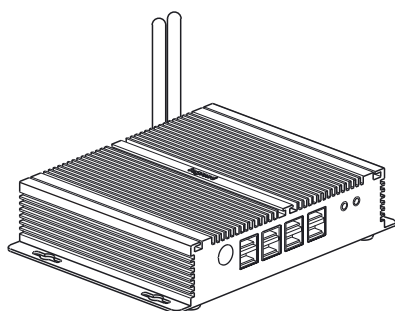
- Flashing during hard drive activity

#### PWR LED indicator

- Green - Power ON
- OFF - Power OFF

#### 4 LAN Ports

### Medium server (Cat. No: 659181) / Small server (Cat. No: 659180)



- Server unit (x 1)
- Antenna (x 2)
- Mains power supply adapter and cable-Black (x 1)
- Mounting screws (x 4 pcs)

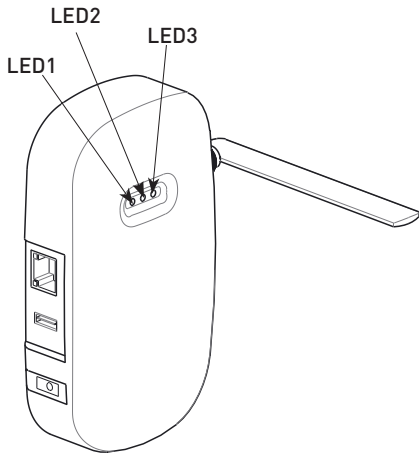
#### Power button LED indicator

- Blue - Power ON
- OFF - Power OFF

#### 2 LAN Ports (Small server)

## STATIONS

### Small Station (Cat. No: 659183)



#### LED 1 - Power

- Red (Blinking) - During system initialisation
- Green (Blinking) - During system initialisation
- Green - When initialisation is complete

#### LED 2 - Communication

- Red - During system initialisation / Communication disconnected
- Green (Blinking) - During communication initialisation
- Green - Communication established

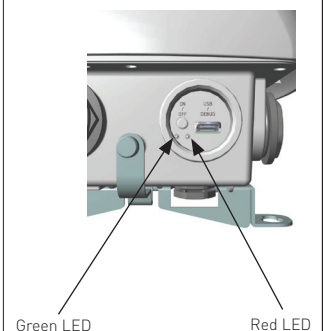
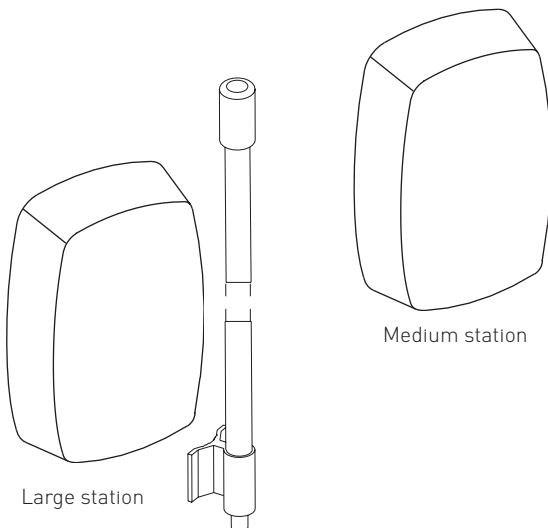
#### LED 3 - Communication traffic

- Red - During initialisation
- Green (Blinking) - Indicated data is being received
- Red (Blinking) - Indicated data is being sent



- Station unit (x 1)
- Antenna (x 1)
- Mains power supply cable (x 1)
- Wall Mounting bracket with screws (x 1)

### Large Station (Cat. No: 659185) / Medium Station (Cat. No: 659184)



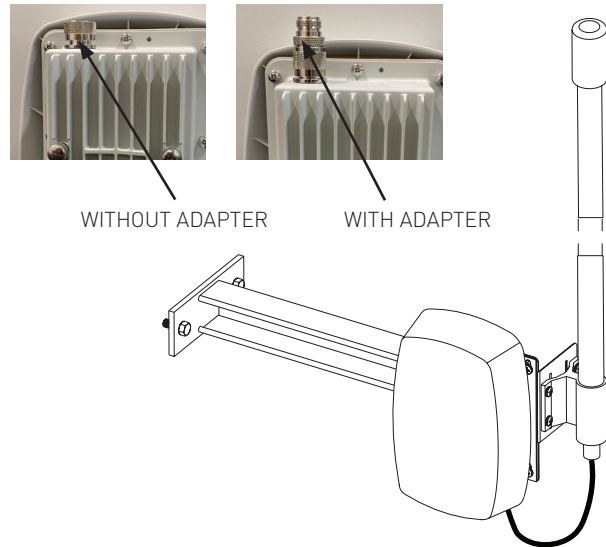
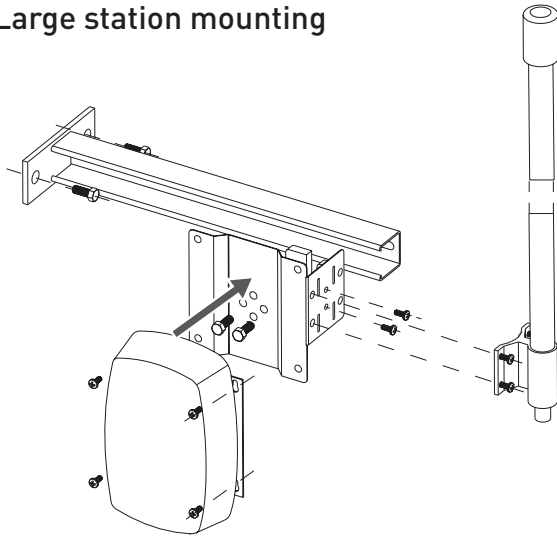
- Station unit (x 1)
- Earthing wire and glands (x 1)
- Large Antenna (x 1 Large Station only)
- Antenna cable (x 1 Large Station only)
- Antenna Adapter (x 1 Large Station only)
- POE injector with power cable (x 1)
- Wall Mounting bracket with screws (x 1)

#### LED Indications

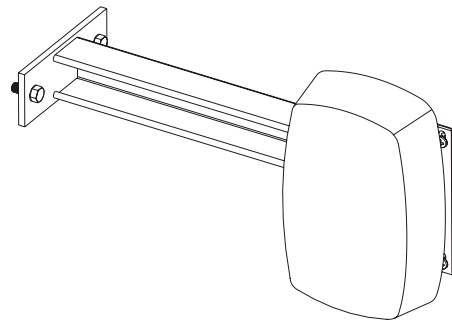
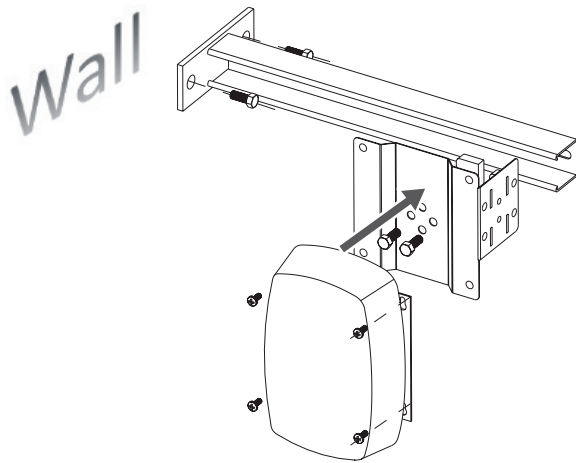
- Green - Power ON
- Red (Blinking) - During system initialisation
- OFF - When initialisation is complete

## MOUNTING BRACKETS

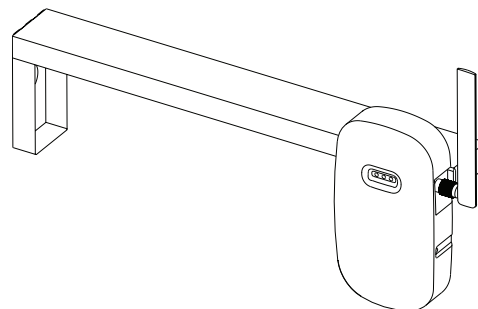
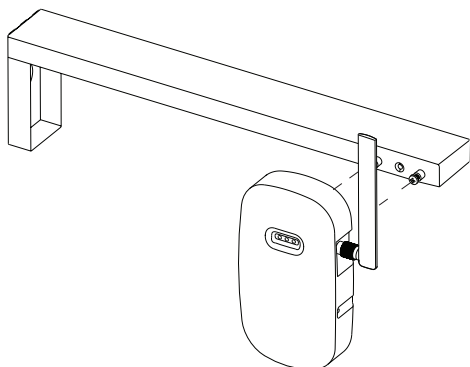
### Large station mounting



### Medium station mounting



### Small station mounting



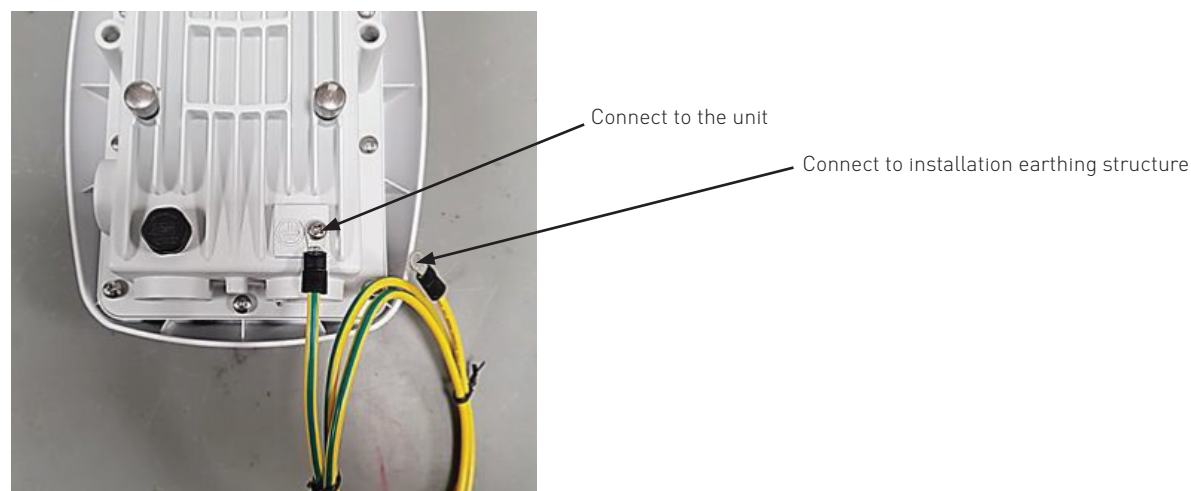
## Things to consider before/after installation

- Isolate 240 V mains supply before maintenance or installation.
- None of the devices should be switched On/OFF after installation.
- Follow the LED indicator functions.
- Make sure the antenna is pointing vertically upwards (Large station only).
- The antenna should be placed away from the walls and surfaces in order to perform effectively (Large station only).
- Please note that mounting bracket must be installed to achieve optimum performance.
- Secure the stations onto the mounting bracket onto the desired wall or structure before connecting.

## Earthing Galaxy Stations and Accessories

### Earthing the Medium and Large Stations

The station is provided with a green/yellow cable for earthing. A pre-existing screw hole is available on the metal enclosure of the station, marked with an earth symbol (as shown).



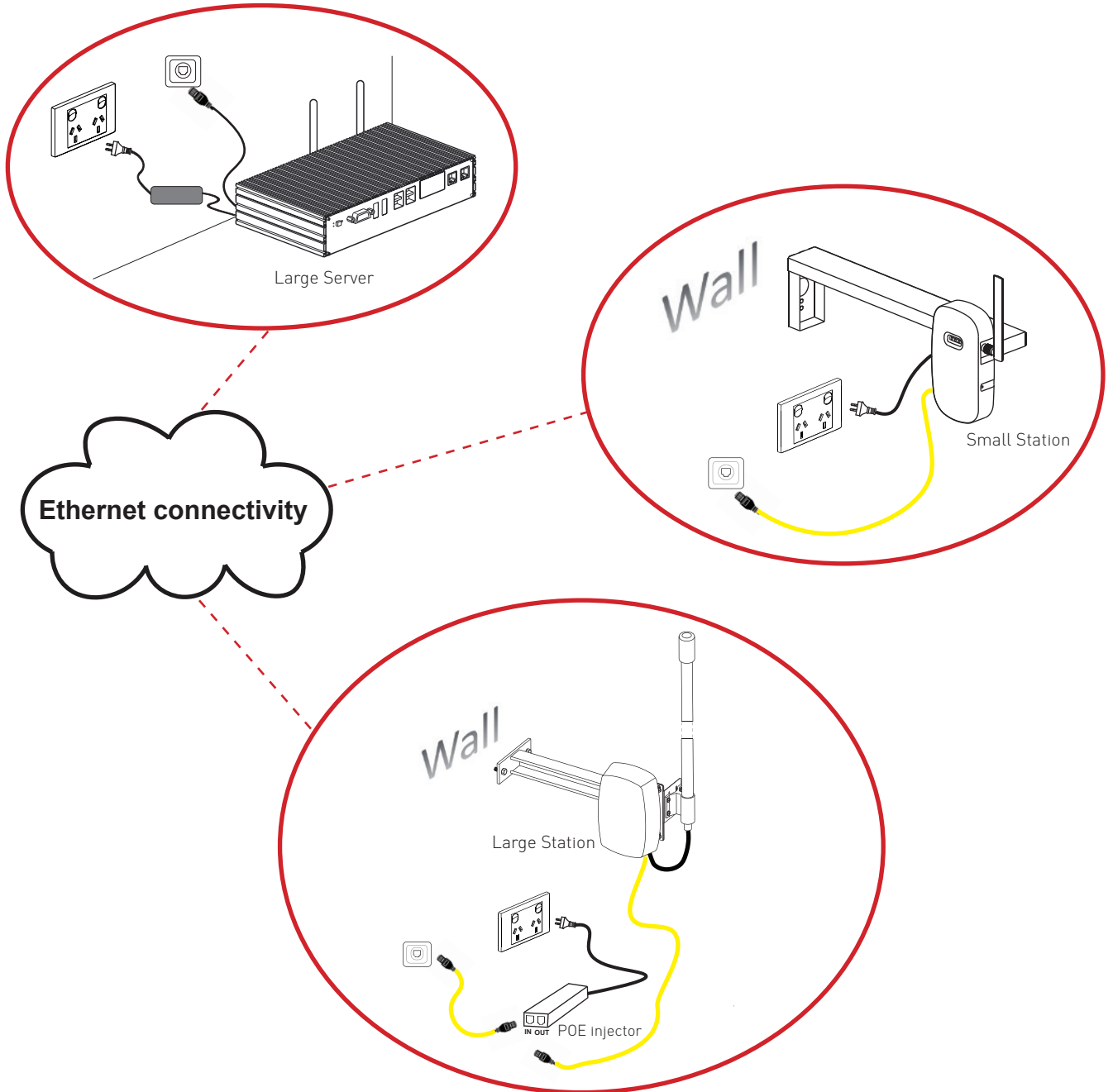
### Earthing the Station mounting bracket

It is strongly recommended to earth the station mounting bracket to prevent surges that may damage the station.

Earthing can be completed by:

- Pole mounting: By using the metallic strapping.
- Wall mounting: By using M4 screws (provided). The earthing connection is done through a ring terminal. A specific crimping tool is required to perform the operation. The earthing cable must be crimped inside this ring terminal.

## Ethernet connection

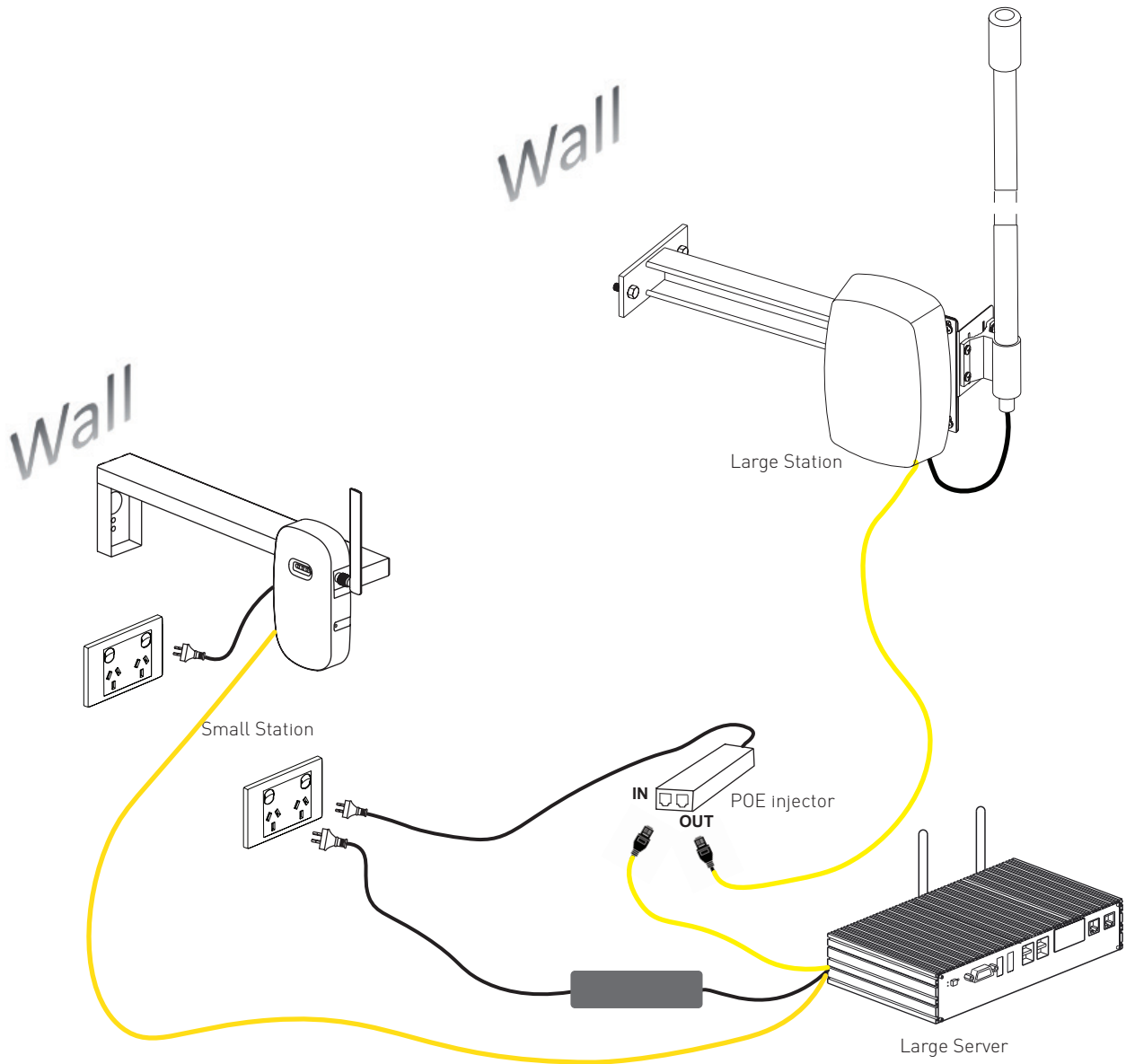


Note: Maximum distance between POE injector and the station should be < 100 m.

1. Plug the power cord of all units into the power outlet (Do not turn **ON**).
2. Connect the Server, POE and Station to an available ethernet socket outlet. Ensure that the Server and Stations are on the same subnet (local IT may need to assist).
3. Turn **ON** the power at the outlet and the Server will automatically turn **ON**.

**Note:** Contact Legrand prior to installation and for commissioning.

## Direct connection



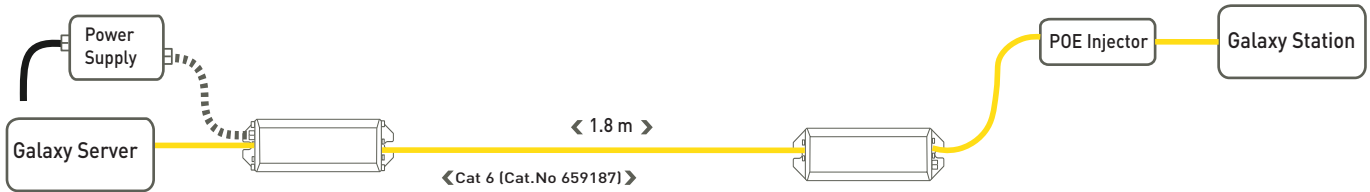
1. Plug the power cord of all units into the power outlet (Do not turn **ON**).
2. Make a direct connection from the Server to the Station using the Legrand yellow Cat 6 cable (Cat. No. 659187).  
Stations are wired back as a star formation to the Server if there is more than one Station on site. A galaxy LAN extender accessory (Cat. No: 659187) must be used if the distance between the Server and Station exceeds 100 m.
3. Turn **ON** the power at the outlet and the Server will automatically turn **ON**.

**Note:** Contact Legrand prior to installation and for commissioning.

## GALAXY ACCESSORIES

### Ethernet extender kit (Cat. No: 659188)

#### Application diagram



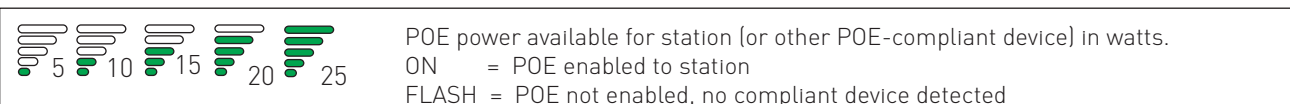
#### LED indication



The green LED may blink quickly while connecting (for extremely long runs, it may take a few seconds to optimise the link).

#### POE Status (Green)

In normal operation, the LEDs will display the power available in flashing or steady green:



The power level is displayed after the station-side unit has powered up. Available power depends on the cable length, cable gauge, and the POE source used.

#### Warranty

Legrand Australia Pty Ltd warrants this product for a period of 5 years from the date of purchase. These goods come with guarantees that cannot be excluded under the Australian and New Zealand Consumer Laws. You are entitled to a replacement or a refund for a major failure and compensation for any other reasonably foreseeable loss or damage. You are also entitled to have the goods repaired if the goods fail to be acceptable quality and the failure does not amount to a major failure.

#### Customer Service

For all Customer Service and Technical Support enquires please call Monday to Friday during business hours.

Legrand Australia  
1300 369 777  
www.legrand.com.au

Legrand New Zealand  
0800 476 009  
www.legrand.co.nz

ABN: 31 000 102 661

