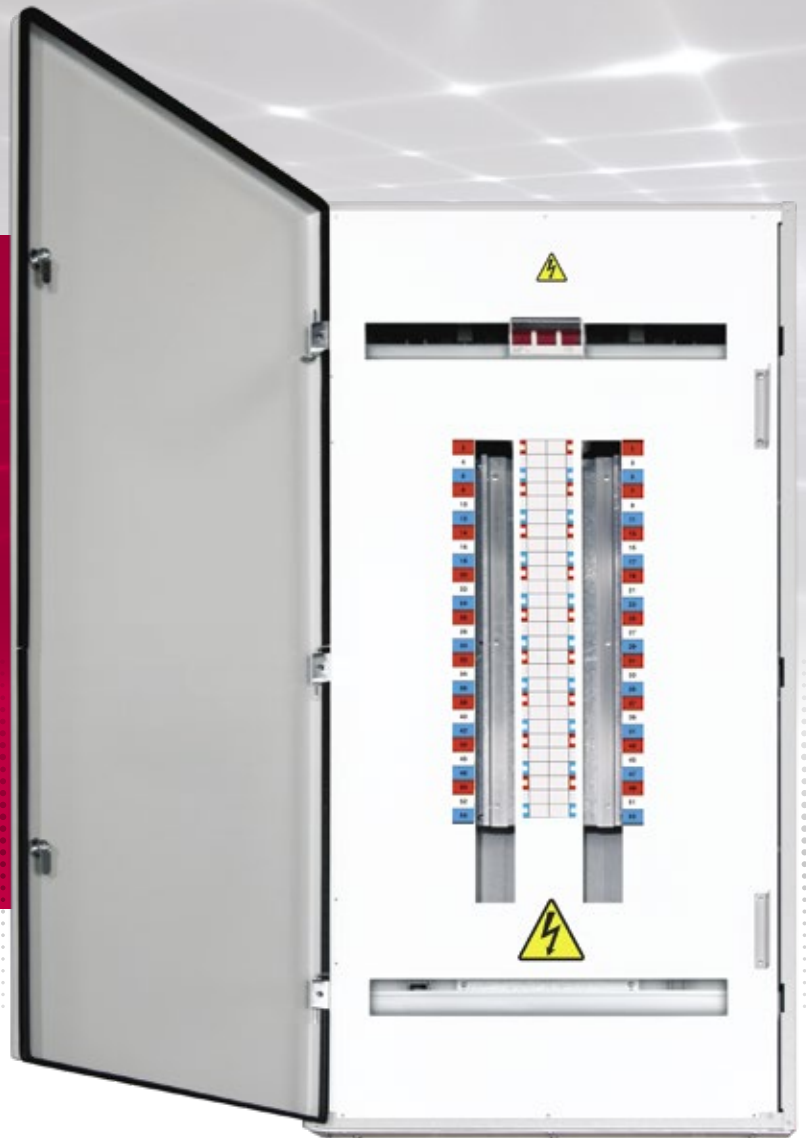


DEFENDER S

**RELIABLE,
MODULAR &
EFFICIENT**

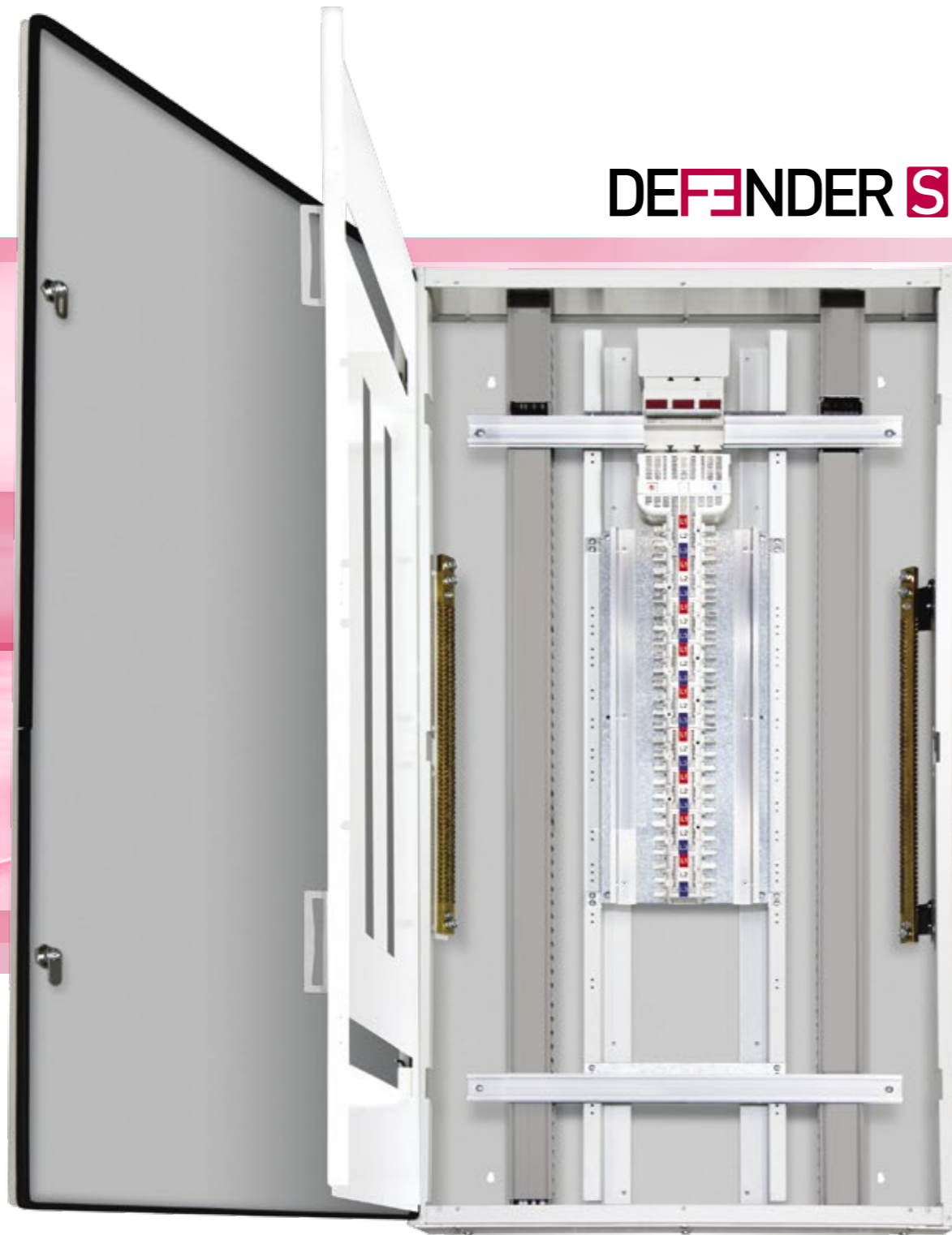
**3-PHASE IP42
DISTRIBUTION BOARD 250 A**



CATALOGUE
PAGES
→ INSIDE

THE GLOBAL SPECIALIST
IN ELECTRICAL AND DIGITAL BUILDING INFRASTRUCTURES

 **legrand**[®]



DEFENDER S

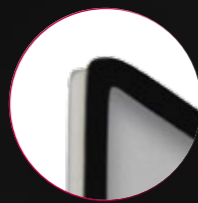
The Legrand range of **Defender S Distribution Boards** are specially designed to provide quick and easy installation, safety, and reliability in electrical installations for commercial and residential building applications.



- Comprehensive range from 18 to 54 poles
- Top/bottom DIN cut-out
- 2 sizes available: 1000mm H and 1200mm H
- Allow split chassis configuration for project
- IP42 rated
- Robust build
- Comply with AS/NZS 61439.2

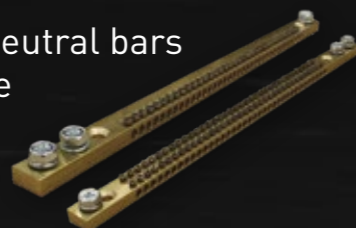
RUBBER SEAL

Durable sealed gasket to achieve IP42



EARTH AND NEUTRAL BARS

- 60 pole Earth and Neutral bars
- From 48P board size
- 30 holes from 18 to 24P board
- Pitch 7.35mm
- Comply with AS/NZS 5112:2015



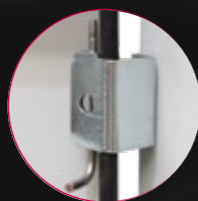
KEY LOCK

- 2 keys provided for the board
- 2 keys for the extension box



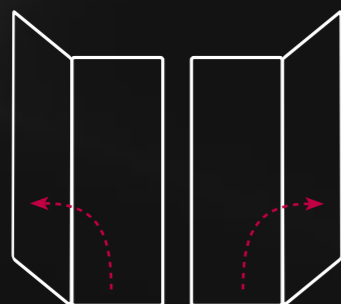
DOOR HINGES

- Heavy duty hinges to support metal doors
- Quick removal (if necessary)



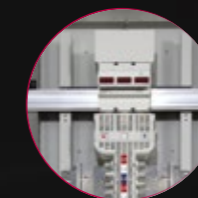
REVERSIBLE DOOR

Convenient installation



DIN RAIL(S)

24 modules aluminium DIN rail (top and bottom)



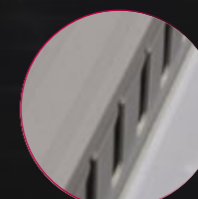
BACKBONE CHASSIS

For easy wiring from both sides of the board



REMOVABLE WIDE CABLE DUCT

Trunking system provides simple cable management



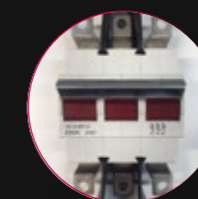
MOUNTING HOLES

Allow room to adjust board positioning



250A MAIN SWITCH ISOLATOR

3P, Equipped with Red handle to easily identify switched position

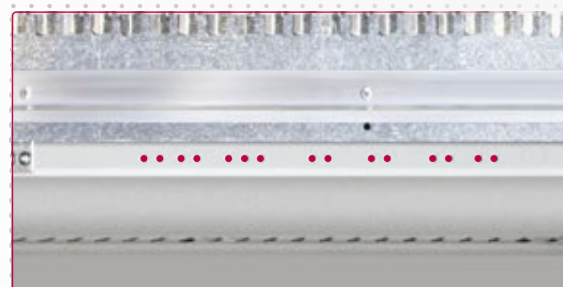


Easy installation and wiring

We've made **DEFENDER S** easy to wire. The range offers generous space for cable connections.



From the board to the circuit breaker, everything is done to simplify installation.



Pre-drilled holes on the plate and multiple pan base parts available to manage split chassis configurations.



DN rail designed to support 24 Pole. Organise cables with the 40x60mm cable trunk.

Phase colour identification



Holes for ventilation and colored labelling system of the terminals for improved phase identification.

Perfect Fit with modular devices

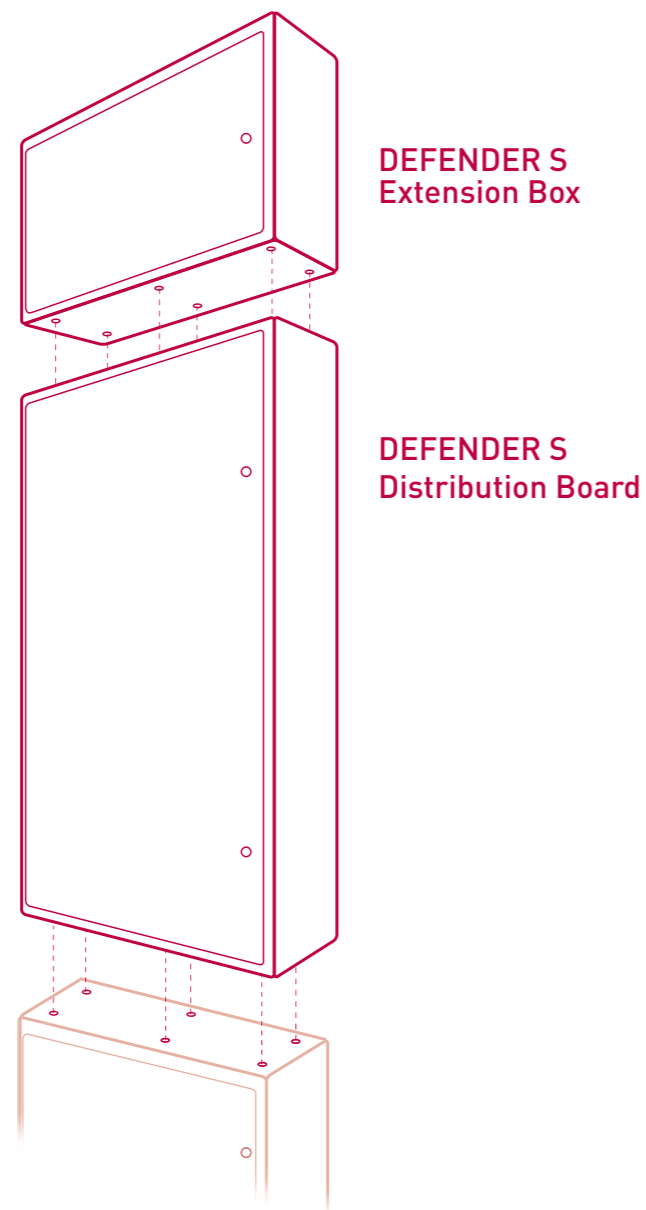


RCBOS
MCBS
RCDS
Timer clocks
SPD
Contactors
Metering



Made for electricians

DEFENDER S is made with a removable aluminium plate for easy installation and allowing connections from the top or bottom of the **DEFENDER S Extension Box**.



Extension Box



1 Available in 2 options:
1 DIN RAIL* or **2** DIN RAILS



2 Top or bottom installation thanks to the removable aluminium plates on both sides



3 Reversible double door



Opens to left or right

4 Key lock

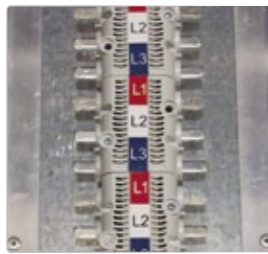


*24 modules DIN rail

The right board for the right project

Customise chassis configurations to your job requirements. **DEFENDER S** meets project needs.

ENCAPSULATED CHASSIS
250A rated
3 Phase



EARTH AND NEUTRAL BARS



PAN BASE
Multiple pan bases available to install the chassis (for split chassis)

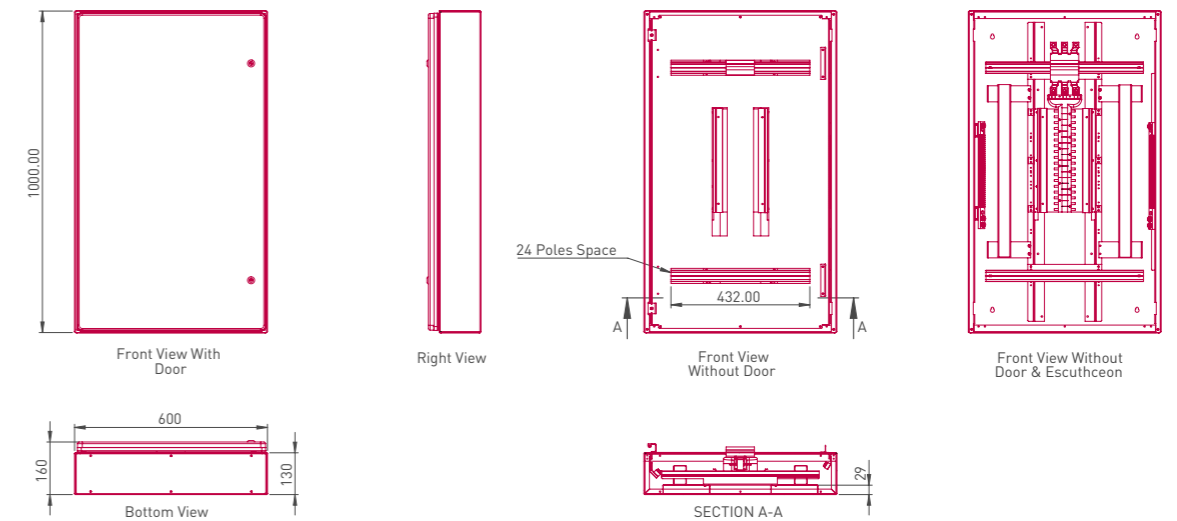
DISTRIBUTION BOARD ONLY
1000mm height or
1200mm height



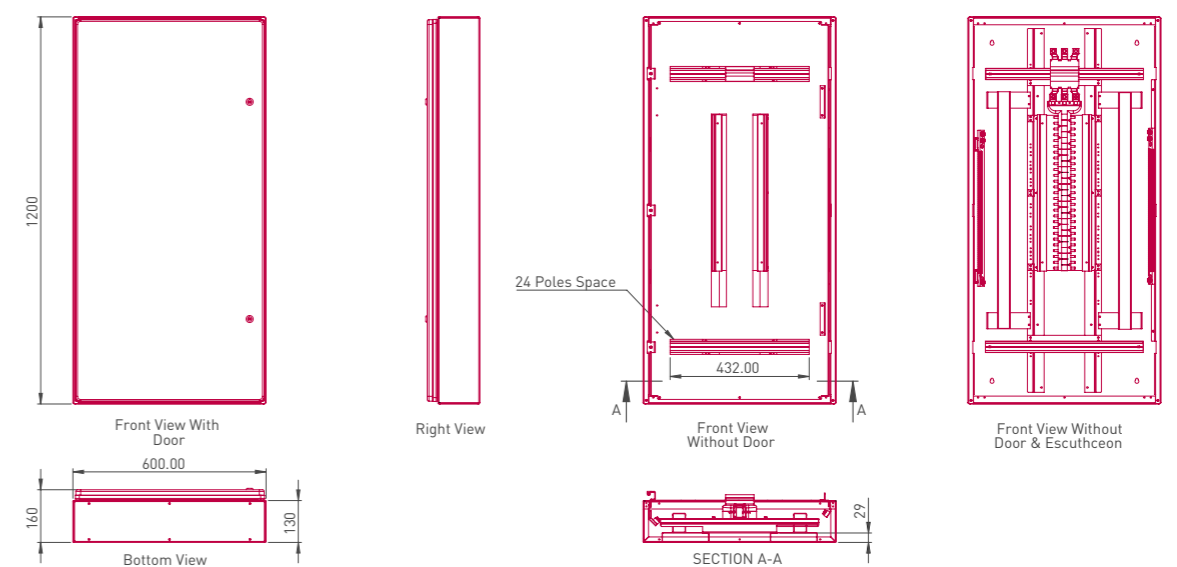
MAIN SWITCH
250A rated
Red handle

Dimensions

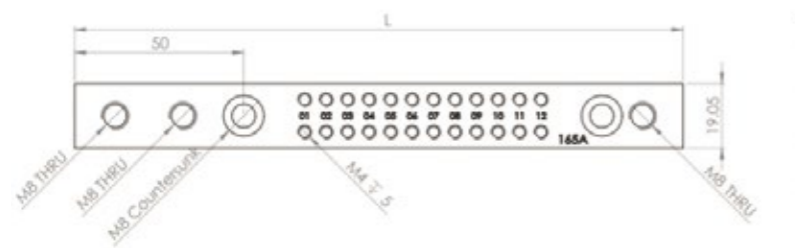
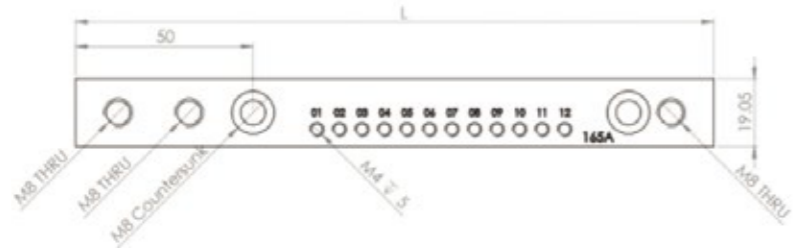
■ From 18 to 36 pole size (1000MM HEIGHT)



■ From 48 to 54 pole size (1200MM HEIGHT)

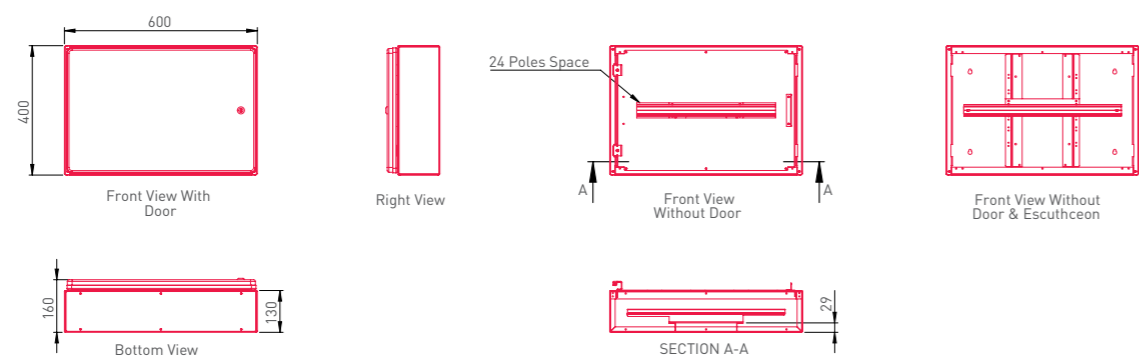


■ Earth and Neutral Busbars

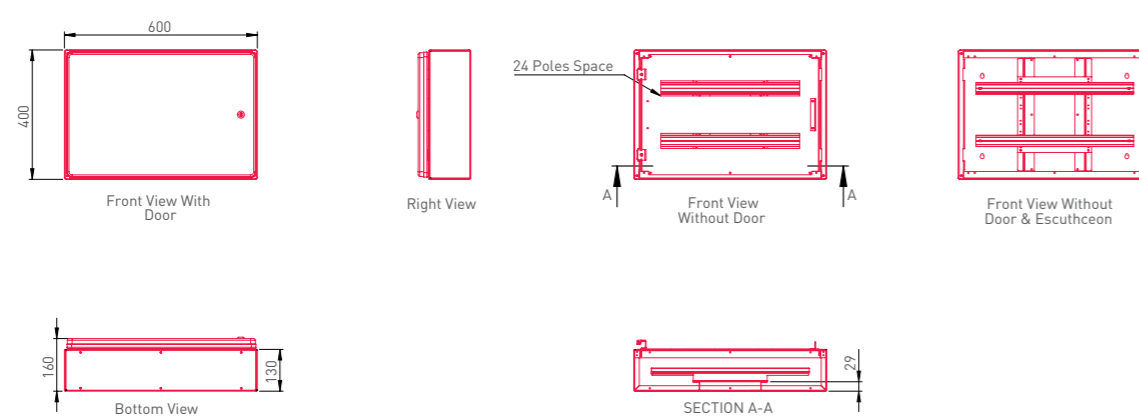


LENGTH (L) mm
176
252
328
404
481
557

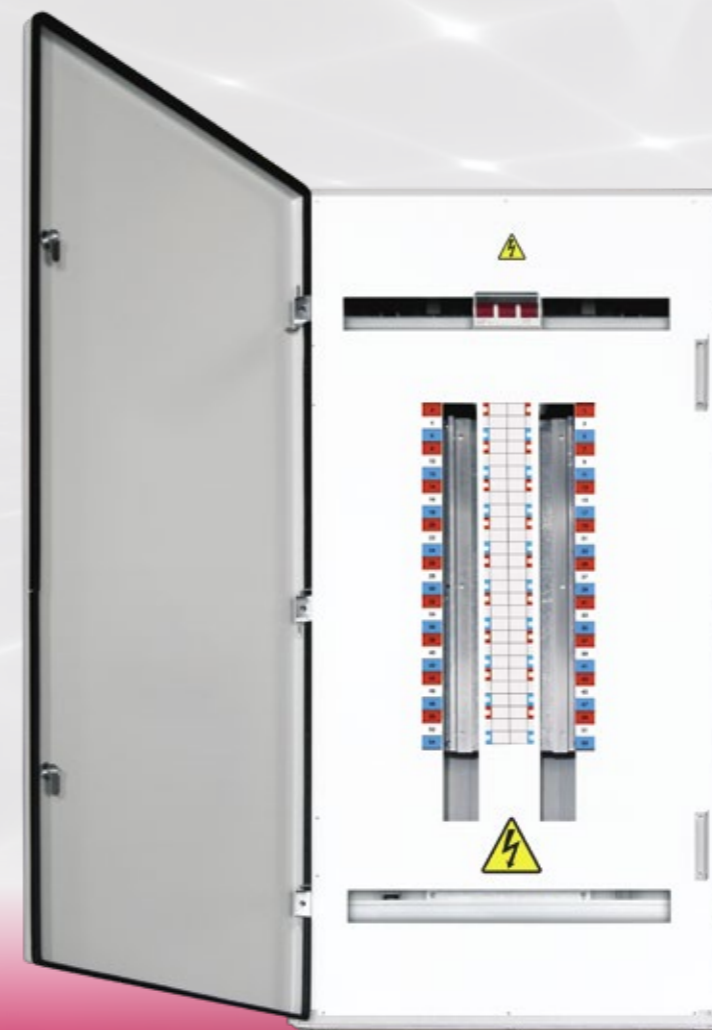
■ Extension box 1 DIN (400MM HEIGHT)



■ Extension box 2 DIN (400MM HEIGHT)



DEFENDER S



RELIABLE,
MODULAR &
EFFICIENT

Defender S



P. 14
3 Phase
Distribution board
250A - IP42

RCBOs DX³



P. 16
Residual current
circuit breakers
from 6 A to 32 A -
A types

MCBs TX³ 6000



P. 17
Thermal magnetic
MCBs from 2 A to
63 A - B & C curve

MCBs DX³ 6000
- 10 kA



P. 17
Thermal magnetic
circuit breakers
from 1 A to 63 A -
D curve

MCBs DX³
25 kA



P. 18
Thermal magnetic
MCBs from 6 A to
125 A

RCCBs, RCDs DX³



P. 19
Residual current
devices 16 A to 80
A - AC and A types

Class I + II (T1+T2)
low voltage SPDs



P. 20
Surge protection
devices

Digital and
Programmable
time switches



P. 22
With digital/
analogue display

Bluetooth
Time Switch



P. 24
Astro with daily,
weekly or annual
programs

Modular power
contactors CX³



P. 26
Power contactors
with 230 V~

EMDX³ multi-function
measuring unit



P. 27
Rail mounting

DEFENDER S

Ideal for
Commercial and
multi residential
installations



Legrand's Defender S range of distribution boards meet project requirements and Australian standards.

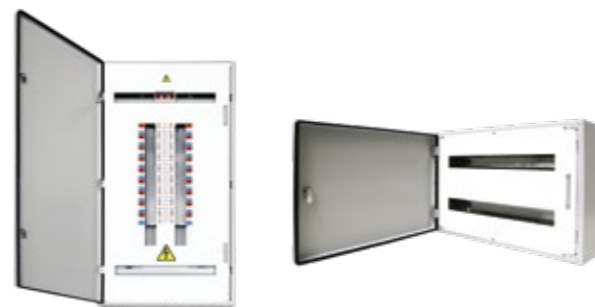
- Comprehensive range from 18 to 54 poles
- Top/bottom DIN cut-out
- Allow split chassis configuration for project
- IP42 rated
- Comply with AS/NZS 61439.2



Find out more about Legrand ranges of protection in our dedicated power catalogue.

Available for download on www.legrand.com.au

Defender S 3 Phase Distribution board 250A - IP42 Single chassis configuration



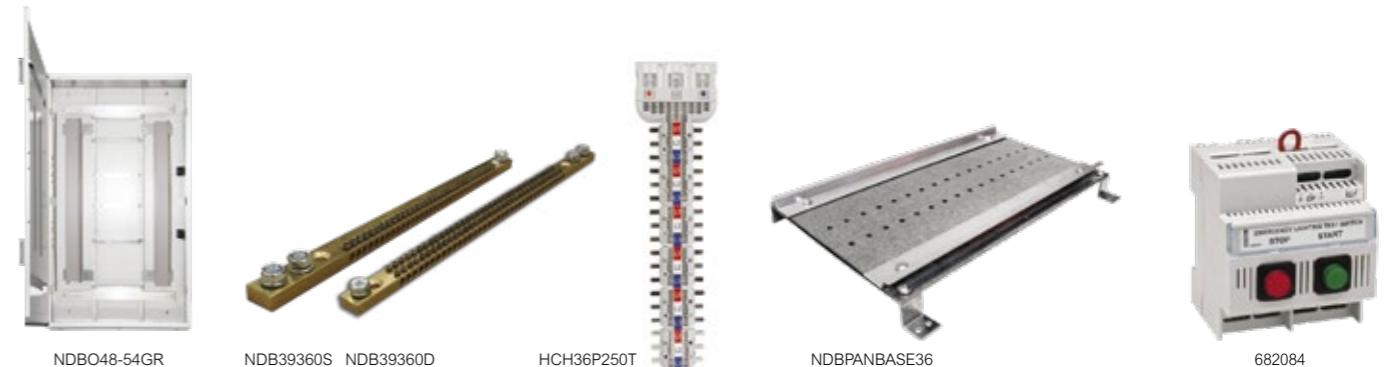
NDB54P250GR

NDB2EXT250GR

IP42
250A Rating - 415V
Mild steel construction
DIN Rail Size 24 Modules (Top and bottom)
Aluminium cable gland (plate) Top and Bottom
Fits perfectly with Legrand modular gear such as DX3 range of RCBOs
Key lock and barrel included
Escutcheons (with 2 DIN cut-out)
Removable wide cable duct included
Comply with AS/NZS 61439.2

Pack	Cat.Nos	3 Phase Distribution boards			
		Grey			
		Number of pole	Width	Height	Depth
1	NDB18P250GR	18	1000	600	130
1	NDB24P250GR	24	1000	600	130
1	NDB36P250GR	36	1000	600	130
1	NDB48P250GR	48	1200	600	130
1	NDB54P250GR	54	1200	600	130
		Orange X15			
1	NDB18P250X15	18	1000	600	130
1	NDB24P250X15	24	1000	600	130
1	NDB36P250X15	36	1000	600	130
1	NDB48P250X15	48	1200	600	130
1	NDB54P250X15	54	1200	600	130
		White			
1	NDB18P250WE	18	1000	600	130
1	NDB24P250WE	24	1000	600	130
1	NDB36P250WE	36	1000	600	130
1	NDB48P250WE	48	1200	600	130
1	NDB54P250WE	54	1200	600	130
		Extension boxes			
		Grey			
		Number of DIN rail	Width	Height	Depth
1	NDB1EXT250GR	1	400	600	130
1	NDB2EXT250GR	2	400	600	130
		Orange X15			
1	NDB1EXT250X15	1	400	600	130
1	NDB2EXT250X15	2	400	600	130
		White			
1	NDB1EXT250WE	1	400	600	130
1	NDB2EXT250WE	2	400	600	130

Defender S 3 Phase Distribution board 250A - IP42 Split chassis configuration



NDBO48-54GR

NDB39360S NDB39360D

HCH36P250T

NDBPANBASE36

682084

IP42
250A Rating - 415V
Mild steel construction
DIN Rail Size 24 Modules (Top and bottom)
Aluminium cable gland (plate) Top and Bottom
Fits perfectly with Legrand modular gear such as DX3 range of RCBOs
Key lock and barrel included
Escutcheons (with 2 DIN cut-out)
Removable wide cable duct included
Comply with AS/NZS 61439.2

Pack	Cat.Nos	3 Phase Distribution boards (board only)			
		Grey			
		For split chassis	Width	Height	Depth
		Maximum pole configuration			
1	NDBO18-36GR	42	1000	600	130
1	NDBO48-54GR	60	1200	600	130
		Orange X15			
1	NDBO18-36X15	42	1000	600	130
1	NDBO48-54X15	60	1200	600	130
		White			
1	NDBO18-36WE	42	1000	600	130
1	NDBO48-54WE	60	1200	600	130
		3 phase encapsulated chassis			
		Number of pole	Current rating		
1	HCH12P250T	12	250A		
1	HCH18P250T	18	250A		
1	HCH24P250T	24	250A		
1	HCH36P250T	36	250A		
1	HCH48P250T	48	250A		
1	HCH54P250T	54	250A		
		Pan bases & brackets			
		To mount chassis sizes up to			
1	NDBPANBASE12	12 pole			
1	NDBPANBASE18	18 pole			
1	NDBPANBASE24	24 pole			
1	NDBPANBASE36	36 pole			
1	NDBPANBASE48	48 pole			
1	NDBPANBASE54	54 pole			
		Main switch			
1	204639	250A 3P isolator - Red handle			
		Earth and neutral bars			
		Number of pole	Screw	Bolts	
1	NDB39336S	36	Single screw	3 x M8	
1	NDB39336D	36	Double screw	3 x M8	
1	NDB39360S	60	Single screw	3 x M8	
1	NDB39360D	60	Double screw	3 x M8	
		Emergency test switch			
1	682084	DIN-rail Emergency test switch			

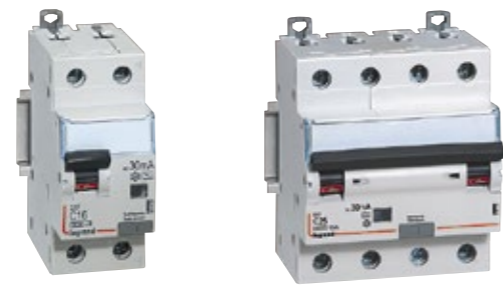
Pack	Cat.Nos	Accessories / Spare parts	
1	NDBE1DIN	Defender S - blank escutcheon for extension box - 1 DIN	
1	NDBE2DIN	Defender S - blank escutcheon for extension box - 2 DIN	
1	NDBE18-36	Defender S - blank escutcheon 1000mm size	
1	NDBE48-54	Defender S - blank escutcheon 1200mm size	
1	NDBDINBRKT	Bracket to mount DIN rails	
1	NDBPANBRKT	Bracket to mount chassis to the board	
1	NDBLBK144	Lock and barrel - key included	
1	NDBGFH	Hinges for distribution board doors	
1	NDBENBS	Plastic earth neutral busbar bracket	
1	NDBCHA4	Plastic paper holder with tape	
1	NDBMLD28	Pole fillers - blank mcb	
1	NDBCL24TP	Circuit id labels on escutcheon	
1	NDBEXTPCOV	Extension strip - for pole covering 3M length	
1	NDBTPALBL01	Red white blue label chart 2 to 54 from top	
1	NDBTPALBL02	Red white blue label chart 1 to 53 from top	
1	NDBTPALBL03	Red white blue label chart 2 to 54 from bottom	
1	NDBTPALBL04	Red white blue label chart 1 to 53 from bottom	
1	NDBGP600A	Aluminium cable gland plate 600mm width	
1	NDBMC525	Aluminium DIN rail 24 modules	
		Grey	
1	NDBHD18-36GR	Defender S - hinged door with locks 1000mm	
1	NDBHD48-54GR	Defender S - hinged door with locks 1200mm	
1	NDBHDEXTGR	Defender S - hinged door with locks for extension box	
		Orange X15	
1	NDBHD18-36X15	Defender S - hinged door with locks 1000mm	
1	NDBHD48-54X15	Defender S - hinged door with locks 1200mm	
1	NDBHDEXTX15	Defender S - hinged door with locks for extension box	
		White	
1	NDBHD18-36WE	Defender S - hinged door with locks 1000mm	
1	NDBHD48-54WE	Defender S - hinged door with locks 1200mm	
1	NDBHDEXTWE	Defender S - hinged door with locks for extension box	

RCBOs DX³

Residual current circuit breakers from 6 A to 32 A – A types



4 189 35 4 189 29



4 110 02 4 112 35

Conform to IEC 61009-1 and BS/NZS 61009-1
Compatible with both prong-type and fork type supply busbars
Voltage dependent tripping
Breaking capacity:
[10000] - IEC 61009-1
• A type : detect AC and DC component faults
Solid neutral (not switched)
Functional earth (FE) cable ensuring RCD protection in case of neutral interruption
Downstream connection top side
Can be equipped with DX³ signalling and remote tripping auxiliaries and motorised controls

Conform to AS/NZS 61009-1
Breaking capacity:
[6000] - AS/NZS 61009-1 - 10 kA / AS/NZS 60947-2 for single pole + neutral.
2 and 4-pole
• AC type : detect AC component faults
• A type : detect AC and DC component faults
Can be equipped with DX³ auxiliaries and accessories

Pack	Cat.Nos	Single pole with neutral tail - 230 V _~	
		A Type 10 mA	
		Nominal rating In (A)	Number of modules
1	4 189 24	6	1
1	4 189 25	10	1
1	4 189 26	16	1
1	4 189 27	20	1
1	4 189 28	25	1
1	4 189 29	32	1
		A Type 30 mA	
1	4 189 32	6	1
1	4 189 33	10	1
1	4 189 34	16	1
1	4 189 35	20	1
1	4 189 36	25	1
1	4 189 37	32	1
		A Type 100 mA	
1	4 189 40	6	1
1	4 189 41	10	1
1	4 189 42	16	1
1	4 189 43	20	1
1	4 189 44	25	1
1	4 189 45	32	1

Conform to AS/NZS 61009-1
Compatible with prong-type supply busbars
Breaking capacity:
• A type : detect AC and DC component faults
Can be equipped with DX³ auxiliaries and accessories

Pack	Cat.Nos	Single pole + neutral - 230 V _~	
		Neutral on left-hand side	
		A Type 10 mA	
1	4 111 21	6	1
1	4 111 22	10	1
1	4 111 24	16	1
1	4 111 25	20	1
1	4 111 26	25	1
1	4 111 27	32	1
		A Type 30 mA	
1	4 111 28	6	1
1	4 111 29	10	1
1	4 111 31	16	1
1	4 111 32	20	1
1	4 111 33	25	1
1	4 111 34	32	1

MCBs TX³ 6000

Thermal magnetic MCBs from 2 A to 63 A - B & C curve



4 034 34 4 035 51

Conform to AS/NZS 60898-1
Compatible with prong-type and fork type supply busbars
Equipped with special DIN rail clamp allowing independent MCB removal with supply busbar in place
Breaking capacity:
[6000] - AS/NZS 60898-1 - 230/400 V_~
6 kA - AS/NZS 60947-2 - 230/400 V_~
Can be equipped with DX³ signalling and remote tripping auxiliaries and motorised controls
Can be equipped with DX³ auxiliaries and accessories

Pack	Cat.Nos	Single pole 230/400 V _~	
		C curve	Nominal rating In (A)
10	4 034 30	6	1
10	4 034 32	10	1
10	4 034 33	13	1
10	4 034 34	16	1
10	4 034 35	20	1
10	4 034 36	25	1
10	4 034 37	32	1
10	4 034 38	40	1
10	4 034 39	50	1
10	4 034 40	63	1
		3-pole 400 V_~	
1	4 035 38	6	3
1	4 035 41	10	3
1	4 035 43	13	3
1	4 035 44	16	3
1	4 035 45	20	3
1	4 035 46	25	3
1	4 035 47	32	3
1	4 035 48	40	3
1	4 035 49	50	3
1	4 035 50	63	3

MCBs DX³ 6000 - 10 kA

Thermal magnetic circuit breakers from 1 A to 63 A – D curve



4 079 67

Conform to AS/NZS 60898-1
Breaking capacity:
[6000] - AS/NZS 60898-1 - 400 V_~
10 kA - AS/NZS 60947-2 - 400 V_~
Can be equipped with DX³ auxiliaries and accessories

Pack	Cat.Nos	Single pole 230/400 V _~	
		D curve	Nominal rating In (A)
1	4 079 67	6	1
1	4 079 69	10	1
1	4 079 71	16	1
1	4 079 72	20	1
1	4 079 73	25	1
1	4 079 74	32	1
1	4 079 75	40	1
1	4 079 76	50	1
1	4 079 77	63	1
		3-pole 400 V_~	
1	4 080 85	6	3
1	4 080 87	10	3
1	4 080 89	16	3
1	4 080 90	20	3
1	4 080 91	25	3
1	4 080 92	32	3
1	4 080 93	40	3
1	4 080 94	50	3
1	4 080 95	63	3

MCBs DX³ 10 kA

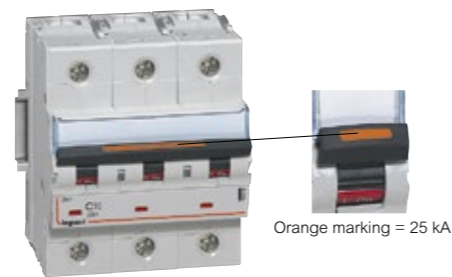
Thermal magnetic circuit breakers from 1 A to 125 A – C curve

MCBs DX³ 25 kA

Thermal magnetic MCBs from 6 A to 125 A



4 091 11 4 092 60



4 097 81

Orange marking = 25 kA

Conform to IEC 60898-1
 Breaking capacity
 10 kA - AS/NZS 60898-1 - 400 V_~
 16 kA - AS/NZS 60947-2 - 400 V_~
 Can be equipped with DX³ auxiliaries and accessories

Breaking capacity:
 25 kA - AS/NZS 60947-2 - 400 V_~
 Can be equipped with DX³ auxiliaries and accessories

Pack	Cat.Nos	MCBs DX ³ 10000 - 16 kA - C curve	Number of modules
		Single pole 230/400 V_~	
		C curve	
		Nominal rating In (A)	
1	4 091 07	1	1
1	4 091 08	2	1
1	4 091 09	3	1
1	4 091 11	6	1
1	4 091 12	10	1
1	4 091 13	13	1
1	4 091 14	16	1
1	4 091 15	20	1
1	4 091 16	25	1
1	4 091 17	32	1
1	4 091 18	40	1
1	4 091 19	50	1
1	4 091 20	63	1
		3-pole 400 V_~	
1	4 092 47	1	3
1	4 092 48	2	3
1	4 092 49	3	3
1	4 092 51	6	3
1	4 092 52	10	3
1	4 092 53	13	3
1	4 092 54	16	3
1	4 092 55	20	3
1	4 092 56	25	3
1	4 092 57	32	3
1	4 092 58	40	3
1	4 092 59	50	3
1	4 092 60	63	3

Pack	Cat.Nos	MCBs DX ³ - 25 kA - C curve	Number of modules
		Single pole 230/400 V_~	
		C curve	
		Nominal rating In (A)	
1	4 097 53	6	1
1	4 097 54	10	1
1	4 097 55	16	1
1	4 097 56	20	1
1	4 097 57	25	1
		3-pole - 400 V_~	
1	4 097 79	6	3
1	4 097 80	10	3
1	4 097 81	16	3
1	4 097 82	20	3
1	4 097 83	25	3

RCCBs TX³

Residual current circuit breakers from 16 A to 80 A - AC and A types



4 115 10 4 117 09

Conform to AS/NZS 61008-1
 Compatible with prong-type and fork type supply busbars
 • AC type : detect AC component faults
 • A type : detect AC and DC component faults

RCCBs, RCDs DX³

Residual current devices 16 A to 80 A - AC and A types



4 115 25 4 117 05

Conform to AS/NZS 61008 - 1
 • AC type : detect AC component faults
 • A type : detect AC and DC component faults
 Can be equipped with DX³ auxiliaries and accessories

Pack	Cat.Nos	2-pole - 230 V _~	In (A)	Number of modules
		AC type 		
		Sensitivity (mA)		
1	4 115 09	30	25	2
1	4 115 10	30	40	2
1	4 115 11	30	63	2
1	4 115 12	30	80	2
1	4 115 19	100	25	2
1	4 115 20	100	40	2
1	4 115 21	100	63	2
1	4 115 22	100	80	2
1	4 115 29	300	25	2
1	4 115 30	300	40	2
1	4 115 31	300	63	2
1	4 115 32	300	80	2
		A type 		
1	4 115 52	10	16	2
1	4 115 59	30	25	2
1	4 115 60	30	40	2
1	4 115 61	30	63	2
1	4 115 62	30	80	2
1	4 115 64	100	25	2
1	4 115 65	100	40	2
1	4 115 66	100	63	2
1	4 115 67	100	80	2
1	4 115 74	300	25	2
1	4 115 75	300	40	2
1	4 115 76	300	63	2
1	4 115 77	300	80	2
		4-pole 400 V_~		
		Neutral on right-hand side		
		AC type 		
		Sensitivity (mA)		
1	4 117 07	30	25	2
1	4 117 08	30	40	2
1	4 117 09	30	63	2
1	4 117 10	30	80	2
1	4 117 17	100	25	2
1	4 117 18	100	40	2
1	4 117 19	100	63	2
1	4 117 20	100	80	2
1	4 117 27	300	25	2
1	4 117 28	300	40	2
1	4 117 29	300	63	2
1	4 117 30	300	80	2
		A type 		
1	4 117 64	30	25	2
1	4 117 65	30	40	2
1	4 117 66	30	63	2
1	4 117 67	30	80	2
1	4 117 74	100	25	2
1	4 117 75	100	40	2
1	4 117 76	100	63	2
1	4 117 77	100	80	2
1	4 117 84	300	25	2
1	4 117 85	300	40	2
1	4 117 86	300	63	2
1	4 117 87	300	80	2

Pack	Cat.Nos	2-pole - 230 V _~	Nominal rating In (A)	Number of modules
		AC Type 30 mA		
		Nominal rating In (A)		
1	4 115 04	25	2	
1	4 115 05	40	2	
1	4 115 06	63	2	
1	4 115 07	80	2	
		AC Type 100 mA		
1	4 115 14	25	2	
1	4 115 15	40	2	
		AC Type 300 mA		
1	4 115 25	40	2	
1	4 115 26	63	2	
		A Type 30 mA		
1	4 115 54	25	2	
1	4 115 55	40	2	
1	4 115 56	63	2	
1	4 115 57	80	2	
		A Type 300 mA		
1	4 115 70	40	2	
1	4 115 71	53	2	
		4-pole - 400 V_~ - neutral on right-hand side		
		AC Type 30 mA		
		Nominal rating In (A)		
1	4 117 02	25	4	
1	4 117 03	40	4	
1	4 117 04	63	4	
1	4 117 05	80	4	
		AC Type 300 mA		
1	4 117 23	40	4	
1	4 117 24	63	4	
1	4 117 25	80	4	
		A Type 30 mA		
1	4 117 59	25	4	
1	4 117 60	40	4	
1	4 117 61	63	4	
1	4 117 62	80	4	
		A Type 300 mA		
1	4 117 80	40	4	

Class I + II (T1+T2) low voltage SPDs

Surge protection devices



Protection against transient overvoltages for 230/400 V_n power networks (50/60 Hz). SPDs compliant with AS/NZS 61643-11 standards
Recommended for main distribution boards
Class I+II (T1+T2) : SPDs tested and specified according to both T1 and T2 test classes

Pack	Cat.Nos	SPDs for general protection of main distribution board				
		SPDs with plug-in modules and status indicators: - Green: SPD operational - Orange: plug-in modules to be replaced Earthing systems: TT, TNC, TNS				
		T1+T2 - Iimp 12,5 kA/pole For general protection of big installations and protection of small installations with external lightning protection (LPS). Up: 1.5 kV - I _{max} : 60 kA/pole - U _c : 320 V _n Recommended MCB: DX ³ 63 A - C curve				
		Number of poles	Neutral position	I _{total} (10/350)	Remote status monitoring (FS contact)	Number of modules
1	4 122 70	1P	-	12,5 kA	No	1
1	4 122 74 ¹	1P+N	Left	25 kA	Yes	2
1	4 122 76 ¹	1P+N	Right	25 kA	Yes	2
1	4 122 71	2P	-	25 kA	No	2
1	4 122 72	3P	-	37,5 kA	Yes	3
1	4 122 75 ¹	3P+N	Left	50 kA	Yes	4
1	4 122 77 ¹	3P+N	Right	50 kA	Yes	4
1	4 122 73	4P	-	50 kA	No	4
		T1+T2 - Iimp 8 kA/pole SPDs for small installations without external lightning protection (LPS) Up: 1.3 kV - I _{max} : 50 kA/pole - U _c : 320 V _n Recommended MCB: DX ³ 40 A - C curve				
1	4 122 50	1P	-	8 kA	No	1
1	4 122 54 ¹	1P+N	Left	16 kA	No	2
1	4 122 56 ¹	1P+N	Right	16 kA	No	2
1	4 122 51	2P	-	16 kA	No	2
1	4 122 52	3P	-	25 kA	No	3
1	4 122 55 ¹	3P+N	Left	25 kA	No	4
1	4 122 57 ¹	3P+N	Right	25 kA	No	4
1	4 122 53	4P	-	32 kA	No	4

1: 1P+N and 3P+N: L-N and N-PE protection modes (common and differential modes), take N pole being protected by encapsulated spark gaps. Also called 1+1 and 3+1

Pack	Cat.No.	T2 SPDs for protection of a sub-distribution board			
		SPDs with plug-in modules and status indicators: - Green: SPD operational - Orange: plug-in modules to be replaced			
		T2 - I_{max} 40 kA/pole SPDs recommended for power installations Up: 1.7 kV - In: 20 kA/pole - U _c : 320 V _n Earthing systems : TT, TNC, TNS Recommended MCB: DX ³ 25 A - C curve			
		Number of poles	Neutral position	Remote status monitoring (FS contact)	Number of modules
1	4 122 40	1P	-	No	1
1	4 122 44 ¹	1P+N	Left	No	2
1	4 122 46 ¹	1P+N	Right	No	2
1	4 122 41	2P	-	No	2
1	4 122 42	3P	-	Yes	3
1	4 122 45 ¹	3P+N	Left	No	4
1	4 122 47 ¹	3P+N	Right	No	4
1	4 122 43	4P	-	No	4
		T2 - I_{max} 40 kA/pole - 440V_n (IT) SPDs recommended for big installations Up: 2.1 kV - In: 20 kA/pole - U _c : 440 V _n Earthing systems : TT, TNC, TNS, IT Recommended MCB: DX ³ 25 A - C curve			
1	4 122 30	1P	-	No	1
1	4 122 32	3P	-	Yes	3
1	4 122 33	4P	-	Yes	4
		T2 - I_{max} 20 kA/pole SPDs recommended for small installations Up: 1.2 kV - In: 5 kA/pole - U _c : 320 V _n Earthing systems : TT, TNC, TNS Recommended MCB: DX ³ 20 A - C curve			
1	4 122 20	1P	-	No	1
1	4 122 24 ¹	1P+N	Left	No	2
1	4 122 26 ¹	1P+N	Right	No	2
1	4 122 21	2P	-	No	2
1	4 122 25 ¹	3P+N	Left	No	4
1	4 122 27 ¹	3P+N	Right	No	4
1	4 122 23	4P	-	No	4

Pack	Cat.No.	Replacement plug-in modules	
1	4 122 99	For SPDs T2 - 40 kA Cat.Nos 4 122 40/41/42/43/44/45/ 46/47/64/65/66/67	
1	4 123 00	N-PE module for SPDs T2 - 40 kA Cat.Nos 4 122 44/45/46/47	
1	4 123 01	For SPDs T2 - 440 V Cat.Nos 4 122 30/32/33	
1	4 122 97	For SPDs T2 - 20 kA Cat.Nos 4 122 20/21/23/24/25/26/27/60/61/62/63	
1	4 122 98	N-PE module for SPDs T2 - 20 kA Cat.Nos 4 122 24/25/26/27	

1: 1P+N and 3P+N: L-N and N-PE protection modes (common and differential modes), the N pole being protected by encapsulated spark gaps. Also called 1+1 and 3+1

Class II low voltage SPDs

Surge protection devices



Protection against transient overvoltages for 230/400 V_n power networks (50/60 Hz). SPDs compliant with AS/NZS 61643-11 standards
Recommended for distribution boards

Pack	Cat.Nos	T2 add-on SPDs			
		SPDs with plug-in modules and status indicators: - Green: SPD operational - Orange: plug-in modules to be replaced SPDs providing increased safety during their lifetime and maintenance cycles. Prewired MCB connexions for increased reliability and for quick and easy installation. To be equipped with DX ³ MCBs (1 module/pole) Earthing systems: TT, TNS			
		T2 - I_{max} 40 kA/pole SPDs recommended for power installations Up: 1.7 kV - In: 20 kA/pole - U _c : 320 V _n Recommended MCB: DX ³ 25 A - C curve			
		Number of poles	Neutral position	Remote status monitoring (FS contact)	Number of modules
1	4 122 64 ¹	1P+N	Left	Yes	4
1	4 122 66 ¹	1P+N	Right	Yes	4
1	4 122 65 ¹	3P+N	Left	Yes	8
1	4 122 67 ¹	3P+N	Right	Yes	8
		T2 - I_{max} 20 kA/pole SPDs recommended for small installations Up: 1.2 kV - In: 5 kA/pole - U _c : 320 V _n Recommended MCB: DX ³ 20A - C curve			
1	4 122 60 ¹	1P+N	Left	Yes	4
1	4 122 62 ¹	1P+N	Right	Yes	4
1	4 122 61 ¹	3P+N	Left	Yes	8
1	4 122 63 ¹	3P+N	Right	Yes	8

Pack	Cat.Nos	SPDs for high risk level installations				
		SPDs for big installations with external lightning protection (LPS) and for high risk level installations according to EN/IEC 62305 standards SPDs with plug-in modules and status indicators: - Green: SPD operational - Red: plug-in modules to be replaced				
		T1 + T2 - Iimp 35 kA/pole - 440V_n (IT) - Plug-in Up: 2.5 kV - U _c : 440 V _n Earthing systems: TT, TNC, TNS, IT Recommended MCCB: DPX ³ 160 - 80 A				
1	4 122 80	Number of poles	Neutral position	I _{total} (10/350)	Remote status monitoring (FS contact)	Number of modules
1	4 122 80	1P	-	35 kA	Yes	2
		SPDs for high risk level installations				
		T1 + T2 - Iimp 25 kA/pole Up: 1.5 kV - U _c : 350 V _n Earthing systems: TT, TNC, TNS. Recommended MCCB: DPX ³ 160 - 80 A				
1	4 122 81 ¹	1P+N	Right	50 kA	Yes	4
1	4 122 82	3P	-	75 kA	Yes	6
1	4 122 83 ¹	3P+N	Right	100 kA	Yes	8
		Replacement plug-in modules				
1	4 123 02	For SPDs T1+T2 - 8 kA Cat.Nos 4 122 50/51/52/53/54/55/56/57				
1	4 123 03	For SPDs T1+T2 - 12,5 kA Cat.Nos 4 122 70/71/72/73/74/75/76/77				
1	4 122 84	For SPDs T1+T2 - 25 kA Cat.Nos 4 122 81/82/83 and 0 030 20/22/23/27				
1	4 122 85	N-PE module for SPDs T1+T2 - 25 kA Cat.Nos 4 122 81/83 and 0 030 23				
1	4 122 86	For SPDs T1+T2 - 35 kA Cat.No 4 122 80				
		Cabling accessories				
1	4 123 10	Ready to use cabling kit consisting of 5 conductors (including the earth conductor) Cross section :16mm ² Length : 40cm For cabling SPDs in industrial enclosures (for EN/IEC 61439 compliance).				



0 037 10 412681



4 127 90

For switching an electric circuit (lighting, heating) ON or OFF at selected times during a pre-programmed time period
Temporary (automatic return) or permanent (forced switching ON or OFF) override on output

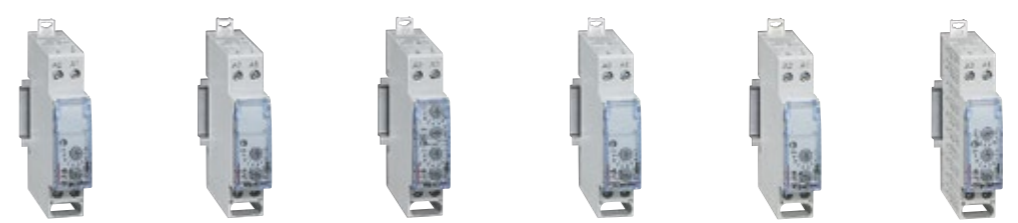
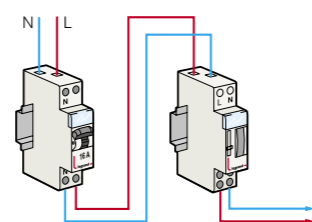
Programmed via captive segment
Power supply: 230 V_~ - 50/60 Hz
3-position override switch "ON-AUTO-OFF" on front panel
Manual changeover to summer/winter time
1 outlet 16 A - 250 V_~ - μ cos φ = 1

Pack	Cat.Nos	Standard - daily or weekly programme with 3 years clock working reserve	Number of modules
1	0 037 10	Compatible with alternative renewable energy systems such as photovoltaic panels Automatic summer/winter changeover Clock precision: \pm 1 sec per day Minimum programme setting: 1 min 28 programmes - Battery type: CR2032 Power supply 120/230 V_~ - 50/60 Hz 1 output 16 A - 250 V _~ μ cos φ = 1 per 1 inverter contact	1
1	4 126 81	Multiple functions - daily or weekly programme - 5 years clock working reserve Programme settings: on daily or weekly basis 15 languages A programme consists of a on and off time and their assignment to certain days Option to suspend the programme for a specific period to set-up with start and date Minimum programme setting: 1 s. High precision clock: \pm 0.1 sec per day Particularly suited to irregular cycles: - security installations (access point, alarms, etc.), - industrial installations (pump stations, etc.) Programmed directly on keypad, or using program transfer key Cat.No 4 128 72 Additional functions including random (irregular cycles), hour counters Power supply 230 V_~ - 50/60 Hz 1 Output 16A - 250V _~ 26 programmes μ cos φ = 1 per 1 inverter contact Bluetooth Connection	1
1	4 126 31	1 output 16 A - 250 V _~ 56 programmes μ cos φ = 1 per 1 inverter contact	2
1	4 126 41	2 output 16 A - 250 V _~ 2 x 28 programmes μ cos φ = 1 per 2 inverters contacts	2
1	4 126 54	1 output 16 A - 250 V _~ Astronomical function 56 programmes μ cos φ = 1 per 1 inverter contact	2
1	4 126 57	2 outputs 16 A - 250 V _~ Astronomical function 2 x 28 programmes μ cos φ = 1 per 2 inverter contacts	2

Pack	Cat.Nos	Daily programme	Number of modules
1	4 127 80	1 segment = 15 minutes Accuracy: \pm 5 minutes Vertical dial Minimum switching time: 15 minutes N/O contact Without working reserve	1
1	4 127 90	With 100 h working reserve	1
1	4 127 94	Weekly programme 1 segment = 2 hours Accuracy: \pm 30 minutes Vertical dial Minimum switching time: 2 hours N/O contact With 100 h working reserve	1

Diagrams

Cat.Nos 4 127 80/90/94



0 047 40 0 047 41 0 047 42 0 047 43 0 047 45 0 047 44

For controlling the switching ON or OFF of a circuit (lighting, ventilation, automation, signalling) in operation for a specific time from 0.1 sec to 100 hrs
Supply voltage: 12 to 230 V_~ (50/60 Hz) and =
Output: 8 A - 250 V_~ - μ cos φ = 1 per inverter contact

Pack	Cat.Nos	Time delay relays	Number of modules
1	0 047 40	ON delay Delays load switch-on (alarm, lighting, contactor) The time period starts when the relay is switched ON. At the end of the time period (T), the load is switched ON	1
1	0 047 41	OFF delay Delays load switch-off (ventilation, etc.) The time period (T) starts with the opening of the non-illuminated switch or pushbutton. At the end of the time period, the load is switched OFF	1
1	0 047 42	Flashing For switching ON and OFF a load (lighting, sounder) for different times and cyclically 	1
1	0 047 43	Timer (pulse) For switching a load ON for a specific time (contactor) The time period (T) starts with the closing of the non-illuminated switch or pushbutton. At the end of the time period, the load is switched OFF	1
1	0 047 45	Wipe contact flick contactor For switching a load ON for a specific time The time period (T) starts when the relay is switched ON. At the end of the time period (T), the load is switched OFF	1
1	0 047 44	Multifunction • ON delay • OFF delay • ON/OFF delay • Timer (pulse) • Timer and passing contact • Flashing • Totalizer on delay • Totalizer delay on power-up	1

AlphaRex³ digital time switches with bluetooth

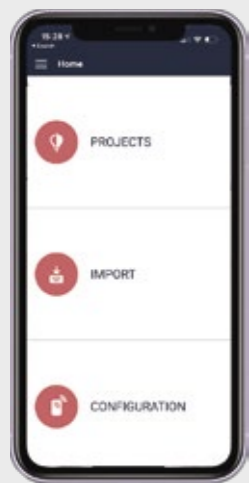
Weekly, yearly and astronomical time switches

AlphaRex³ digital time switches with bluetooth

Weekly, yearly and astronomical time switches



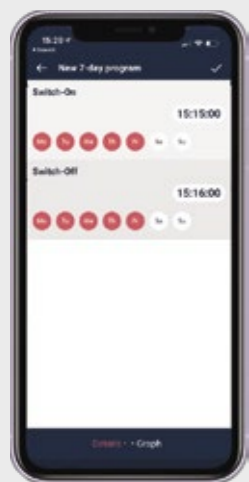
HOW TO PROGRAM THE DIGITAL BLUETOOTH TIME SWITCH



All in 1 app



Advanced configuration



Daily, weekly and yearly programming



Upload data or import from existing timers to new timer

LEGRAND TIME SWITCH APP AVAILABLE NOW!



Scan the QR code for more information



AlphaRex³ Bluetooth low energy (BLE)

- Available in 1 or 2 channels
- 2 modules wide
- Daily, Weekly, Annual program options
- Native Bluetooth: Directly program from smartphone with no need to touch the timer. No accessories required
- Data can be exported to/imported from the timer within the Bluetooth time switch app
- Passwords, location, and other settings can also be controlled via the app
- Data can be copied from 1 timer to another, even on a different project
- High precision timer (0,1 sec)
- 2 Din Clip at the back for ease of installation
- 5 Years battery in reserve
- Screen on the timer in backup

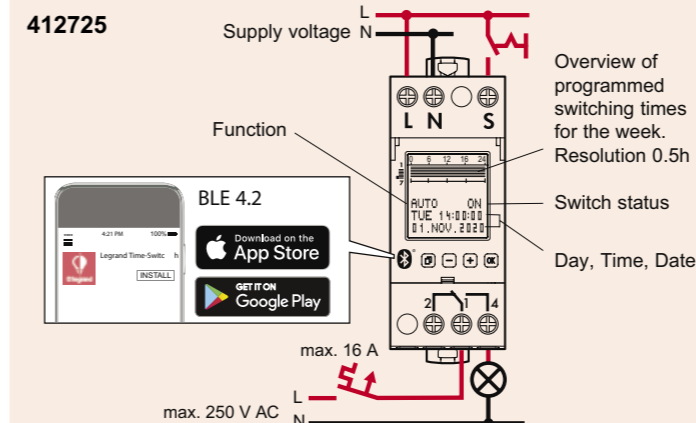
Pack	Cat. Nos	AlphaRex ³ Bluetooth low energy (BLE)
1	412723	AlphaRex³ D21 astro BLE - 1 Channel - Weekly - Astro
1	412724	AlphaRex³ D22 astro BLE - 2 Channels - Weekly - Astro
1	412725	AlphaRex³ DY21 BLE - 1 Channel - Weekly; Yearly - Astro
1	412726	AlphaRex³ DY22 BLE - 2 Channels - Weekly; Yearly - Astro

Technical specifications

Type	AlphaRex ³ BLE
Cat. no.	412723 / 412725
Nominal voltage	230V 50/60Hz
Relay outputs	2 changeover contacts 16A 250V ~μ cos φ = 1
Accuracy	~0,1 s/day
Wire cross-sections	single-strand 1,5...4 mm ² multi-strand 1,5...2,5 mm ² max. 1,4Nm
Programs	56
Local coordinates	Resolution 1°/ 1' in EXPERT-Mode
Battery reserves	5 years
Storage temperature	-20°C to +60°C
Operating temperature	-20°C to +55°C
Transmission frequency	2400MHz...2483,5MHz
max. transmission power	1,58mW
Power consumption	ca. 1,5W



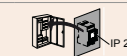
Connection diagram



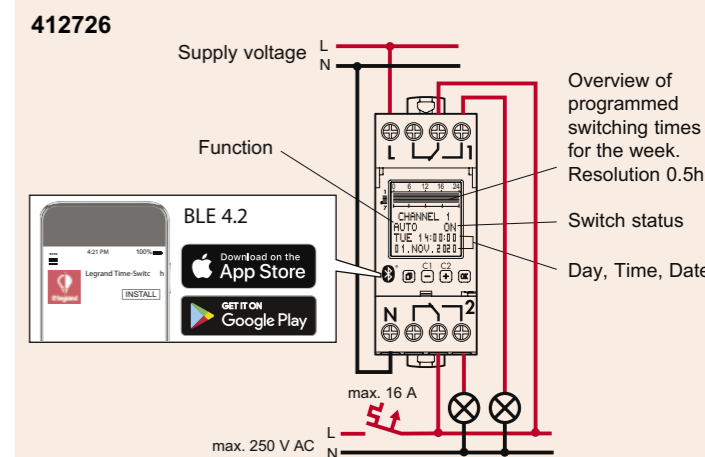
Operating principle: Typ 1.B. S. T. IEC/EN 60730-1, IEC/EN 60730-2-7
 Degree of contamination: 2
 Switch output, potential-free
 Rated impulse voltage: 4 kV

Technical specifications

Type	AlphaRex ³ BLE
Cat. no.	412724 / 412726
Nominal voltage	230V 50/60Hz
Relay outputs	1 changeover contacts 16A 250V ~μ cos φ = 1
Accuracy	~0,1 s/day
Wire cross-sections	single-strand 1,5...4 mm ² multi-strand 1,5...2,5 mm ² max. 1,4Nm
Programs	56
Local coordinates	Resolution 1°/ 1' in EXPERT-Mode
Control-cable length	max. 50m
Control signal	230V AC/ca. 2mA
Control-pulse duration	100...200ms
Delaytime	0min...23h 59min 59s
Battery reserves	5 years
Storage temperature	-20°C to +60°C
Operating temperature	-20°C to +55°C
Transmission frequency	2400MHz...2483,5MHz
max. transmission power	1,58mW
Power consumption	ca. 1W



Connection diagram



Operating principle: Typ 1.B. S. T. IEC/EN 60730-1, IEC/EN 60730-2-7
 Degree of contamination: 2
 Switch output, potential-free
 Rated impulse voltage: 4 kV

Selection table

Type	Cat.No	Hardware										Software		
		Family Product	Channel number	Module number	Display	Button	Supply Voltage	Control Input	Timer Precision	with Bluetooth	Weekly	Astro	Yearly	
AlphaRex ³ Digital Time Switch 1 Channel Weekly Astro 230V Bluetooth	412723	Alpha ³	1	2	yes	4	230 V	no	1s	yes	x	x		
AlphaRex ³ Digital Time Switch 2 Channel Weekly Astro 230V Bluetooth	412724	Alpha ³	2	2	yes	4	230 V	no	1s	yes	x	x		
AlphaRex ³ Digital Time Switch 1 Channel Yearly Astro 230V Bluetooth	412725	Alpha ³	1	2	yes	4	230 V	no	1s	yes	x	x	x	
AlphaRex ³ Digital Time Switch 2 Channel Yearly Astro 230V Bluetooth	412726	Alpha ³	2	2	yes	4	230 V	no	1s	yes	x	x	x	

Electronic time-lag switches
230 V_~ - 50/60Hz

Modular power contactors with handle CX³
63 A

Modular power contactors without handle CX³ 25 A

EMDX³ multi-function measuring unit
Rail mounting



Designed for supply busbar compatibility
Power supply: 230 V_~ - 50/60 Hz
Switches a lighting circuit for a specific time
Self-protection in the event of blocked pushbutton

Conform to IEC/EN 61095
Space for power supply busbar on top (up to 25A)

Conform to standards:
- IEC 61557-12
- IEC 62053-22
- IEC 62053-23 class 1

Pack	Cat.No.	Time-lag switch	Number of modules
10	4 126 02	Resettable 230 V _~ - 50/60 Hz Timing adjustable from 0.5 sec to 10 min Manual override contact Output 16 A - 250 V _~ - $\mu \cos \varphi = 1$ 2000 W incandescent/halogen 2000 W halogen - 230 V _~ 1000 VA fluo - series compensated 120 VA fluo - parallel compensated 14 μ F 100 VA compact fluorescent 1000 W energy saving lamp automatic 3-wire or 4-wire connection	1
10	0 047 04	Multi-function time-lag switch Resettable 230 V _~ - 50/60 Hz Timing adjustable from 0.5 sec to 12 min Operation with 3 or 4 wires a utomatically recognised by the time-lag switch - Inputs for separate control 8-230 V (presence detection, lighting control by door entry system etc.) - Switch-off pre-warning function, - Long duration function (1 hour) and manual switch-off Output 16 A - 250 V _~ - $\mu \cos \varphi = 1$ 3680 W incandescent/halogen 2000 W halogen 230 V _~ 1000 VA fluo - parallel compensated $\leq 100 \mu$ F 2000 VA compact fluorescent 500 W halogen lamp + ferromagnetic transformer 2000 W halogen lamp + electronic transformer - Specially suited to energy saving lamps 1000 W	1
1	0 497 83	Automatic staircase time-lag switch for wall mounting 230 V - 50 Hz Switches a lighting circuit during a determined period Controlled by illuminated push-button 50 mA max 3 wire connection Output : 1 contact Contact rating 10 A - 250 V _~ - $\cos \varphi = 1$ Type of delay adjustable Electronic 0.5 to 10 min. Type Resettable	

Pack	Cat.Nos	Power contactors with 230 V _~ coil and handle	Number of modules
1	4 125 48 ¹	2-pole - 250 V_~ 63 A 	2
1	4 125 57 ¹	4-pole - 400 V_~ 63 A 	3

1: Handle can be accessed after removing blanking plate

Pack	Cat.Nos	Power contactors with 230 V _~ coil	Type of contact	Number of modules
1	4 125 24	2-pole - 250 V_~ I max 25 A 	2 N/C	1
1	4 125 36	4-pole - 400 V_~ 25 A 	4 N/C	2

Pack	Cat.Nos	EMDX ³ modular
1	4 120 51	Multi-function measuring unit with active digital inputs and programmable alarms For mounting on rail Width: 4 modules • LCD display • Precision class: 0.5 • Connection with current transformers (CT) • Measurement of currents, voltages, frequency, active, reactive and apparent power, power factor, active and reactive energy • 4 tariff metering: • THD voltages, currents and harmonic analysis up to order 25 (available on Modbus COM port) • Programmable alarms on all functions • RS 485 and pulse output
1	4 121 07	Single-phase solid core current transformers Used with ammeters, electricity meters or multi-function measuring units Transformation ratio 250/5 Output (VA) 5



Legrand Australia
Building 4 Nexus Industry Park
43-47 Lyn Pde Prestons NSW 2170
1300 369 777
www.legrand.com.au



Disclaimer: The information provided in this document is intended for informational purposes only. It has been prepared and reviewed with all reasonable care and is believed to be correct at the time of printing. Legrand Australia may also make improvements and/or changes to the products, pricing and/or programs described in this brochure at any time without notice.