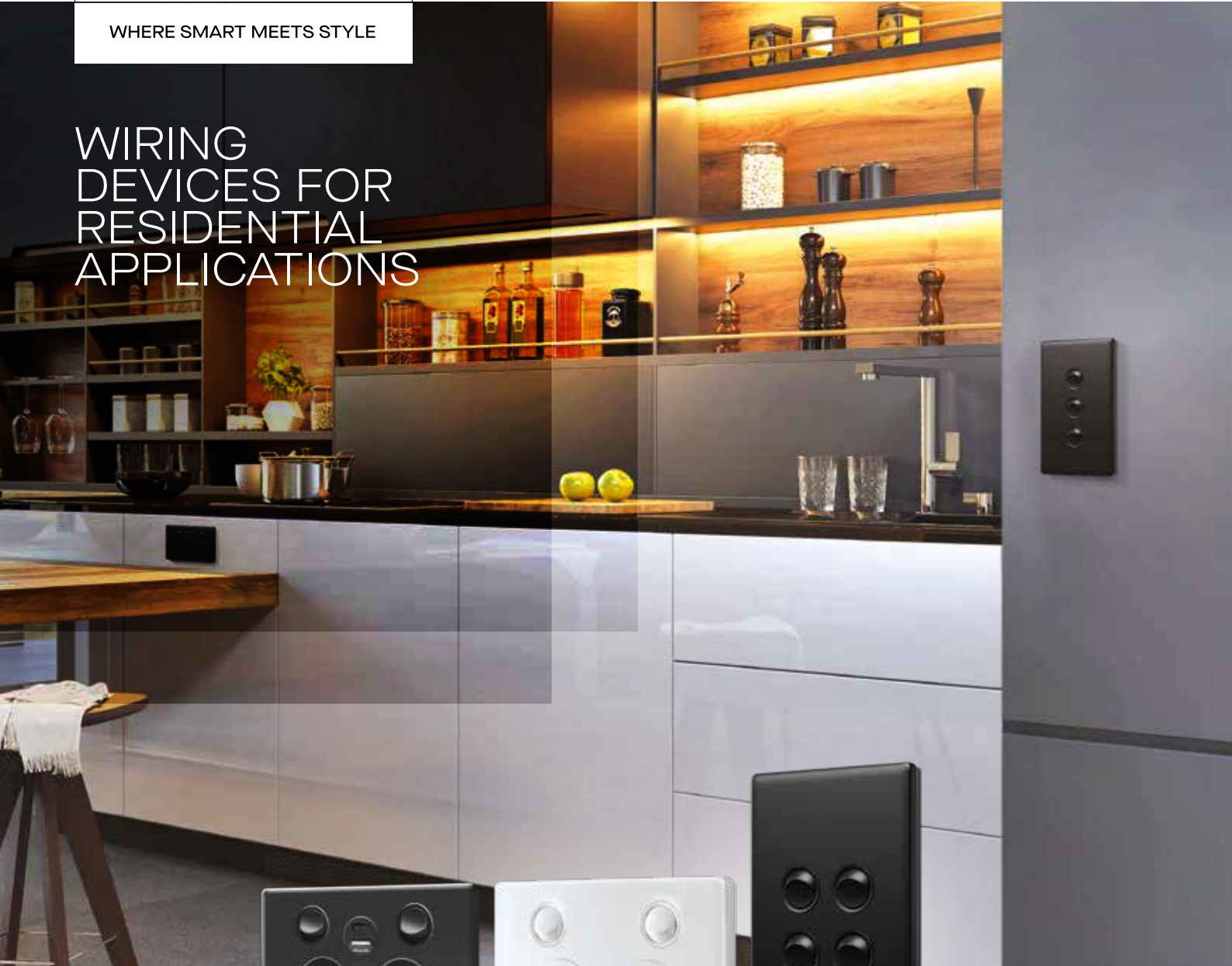


EXCEL
life

WHERE SMART MEETS STYLE

WIRING
DEVICES FOR
RESIDENTIAL
APPLICATIONS



CATALOGUE
PAGES
INSIDE

THE GLOBAL SPECIALIST
IN ELECTRICAL AND DIGITAL BUILDING INFRASTRUCTURES

 **legrand**[®]

EXCEL
life

MATT

WHERE DESIGN MEETS STYLE

Performance and aesthetic combine to create the **Excel Life Matt** range of wiring devices. Featuring a luxurious matt texture, they not only look striking, but the matt finish makes them easier to clean and maintain.

Complement matt surfaces, tapware or appliances to create a designer finish, or be bold and add contrast.

Outshine with Matt!

DISCOVER THE
EXCEL LIFE MATT
COLLECTION



EM883MB



ED770/6MB



ED777USB2IMB



ED770/3MW



EM400A2PMW



ED787MW

EXCEL
life

ORIGINAL

**FAST & SAFE
POWERPOINTS
TO INSTALL**

**METICULOUSLY
ENGINEERED
POWERPOINTS**

We've taken the time to look at single and double powerpoints to make them fast and safe to install. Featuring funnel shaped terminals and super-hard deep screw heads, these powerpoints will withstand the force of any drill.

SINGLE POWERPOINT

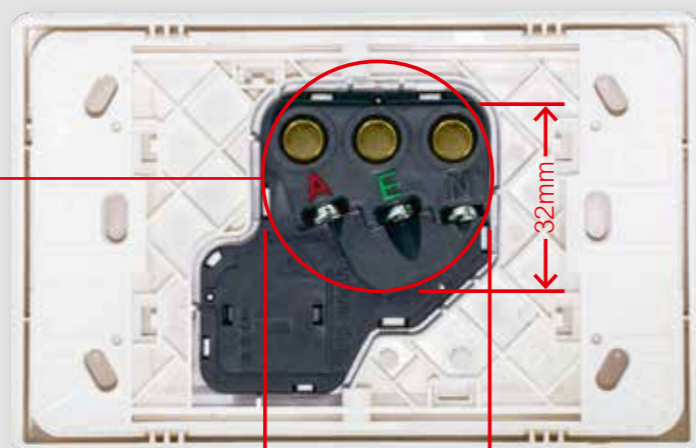


ED787WE

**Inbuilt
Child Safety
Shutters**

Ensures
no accidental
contact with live
components

Easy Install in Cabinetry
Fits into 1 x Ø40mm hole



Small Footprint
Only 38mm wide

DOUBLE POWERPOINT

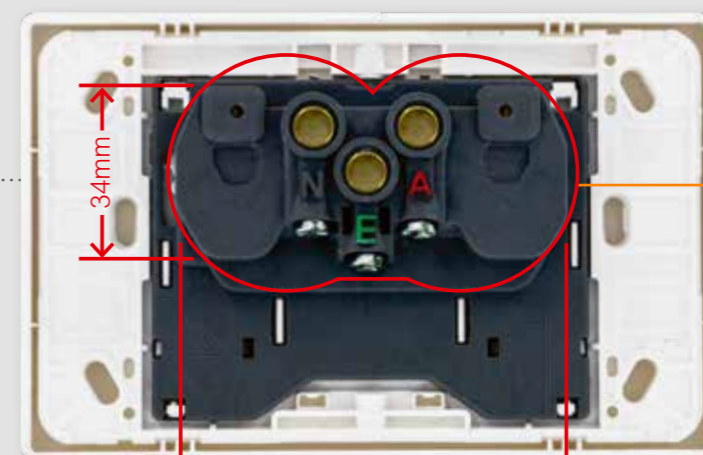


ED777WE

**Inbuilt
Child Safety
Shutters**

Ensures
no accidental
contact with live
components

Easy Install in Cabinetry
Fits into 2 x Ø40mm holes



Small Footprint
Only 66mm wide

INNOVATIONS ACROSS THE SINGLE AND DOUBLE POWERPOINTS

Guided Cable Terminals



Over-Sized Mounting Holes



Raised Insulation Barriers



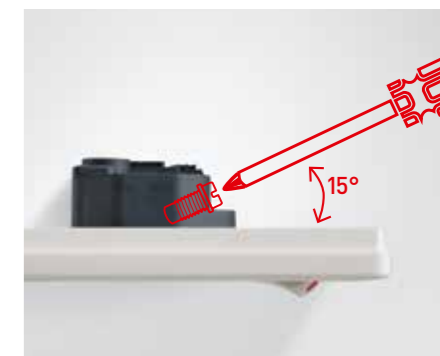
Carburised Steel Screws



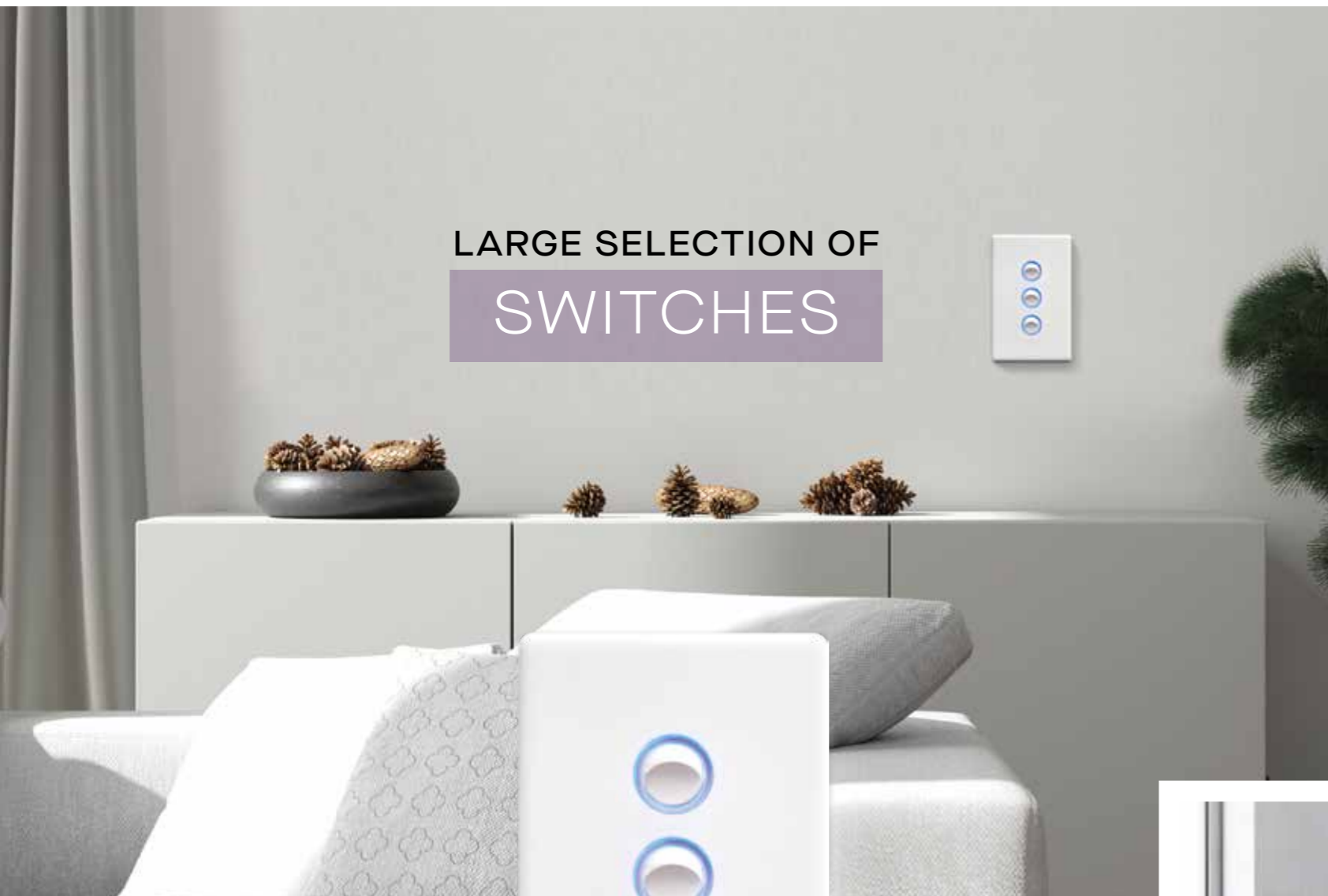
Captive Screws



Ergonomically Angled Screws



LARGE SELECTION OF SWITCHES



ILLUMINATED LED

ILLUMINATED LED rings add a contemporary tech feel. They can be wired so they are always illuminated, or only when the switch is either in the ON or OFF position

ED770/3WE + 3 x EM770LEDWE

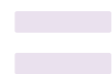
To create rockers with the illuminated LED rings, add the EM770LEDWE mechanism to any standard 16A or 20A EM770 rocker switch.



ED770/3WE



3 x EM770LEDWE



ED770/3WE + 3 x EM770LEDWE



Program LEDs red or blue

Easy programming to set minimum and maximum brightness levels

ED770/4GPLWE + 4 x EM400A2PWE + ED770/4PLDI

SUPER SMOOTH DIMMING

Enjoy the 2 & 3 wire, flicker-resistant all load dimmers. They're LED friendly and feature overload protection. They work brilliantly with slave switches for multi-way dimming in large rooms, stairwells and hallways.

Use with HPM DLI or LDL Tri-colour series LED downlights for smooth dimming.

INNOVATIVE CHARGING SOLUTIONS



FASTEST USB POWERPOINTS

In this modern world, speed counts. Our USB powerpoints super charge at 2 x 2.4A, the fastest on the market! They have been designed to charge devices at their maximum speed including the latest products.



ED777USB2ACWE

FUTURE-PROOF YOUR CHARGING

Our Hybrid Type A+C charger allows the use of Type-A USB charging which is currently the standard. It also includes a Type-C port for newer electronics such as Apple & Samsung devices



ED770/36PLWE + 3 x EMUSB2PSAWE

MAKE A MEGA USB CHARGING STATION

Add to kitchen pantries, nooks and studies for a tidier charging solution



ED777USB2IWE

EASY RETROFIT

This double powerpoint with Integrated USB makes wall boxes and masonry applications a breeze. Available in dual Type A or Type A+C



EDWCWEMS

CHARGE WITHOUT CORDS

Convenient charging without the hassle of cords. Simply place your device* on the cradle to charge the battery

*Qi compatible devices only. For full list of compatible devices visit www.wirelesspowerconsortium.com



MOVING TOWARD USB-C

USB Type-C has been adopted by all the major tech companies. Boasting faster charging and ease of use, USB-C is compatible with all the latest devices including iPad Pro, iPad 8G, iPhone 12 and MacBook Pro.



Light switches - dedicated plate series



Pack	Cat No.	Vertical switches 230-240V a.c.	
10	ED770/1WE	Rocker mechanism SPDT 16A fluoro rated 16AX ○ White - 1 gang	
10	ED770/1UG		● Urban Grey - 1 gang
10	ED770/1BL		● Black - 1 gang
10	ED770/1MW	○ Matt White - 1 gang	
10	ED770/1MB		● Matt Black - 1 gang
10	ED770/2WE	○ White - 2 gang	
10	ED770/2UG		● Urban Grey - 2 gang
10	ED770/2BL		● Black - 2 gang
10	ED770/2MW	○ Matt White - 2 gang	
10	ED770/2MB		● Matt Black - 2 gang
10	ED770/3WE	○ White - 3 gang	
10	ED770/3UG		● Urban Grey - 3 gang
10	ED770/3BL		● Black - 3 gang
10	ED770/3MW	○ Matt White - 3 gang	
10	ED770/3MB		● Matt Black - 3 gang
10	ED770/4WE	○ White - 4 gang	
10	ED770/4UG		● Urban Grey - 4 gang
10	ED770/4BL		● Black - 4 gang
10	ED770/4MW	○ Matt White - 4 gang	
10	ED770/4MB		● Matt Black - 4 gang
10	ED770/5WE	○ White - 5 gang	
10	ED770/5UG		● Urban Grey - 5 gang
10	ED770/5BL		● Black - 5 gang
10	ED770/5MW	○ Matt White - 5 gang	
10	ED770/5MB		● Matt Black - 5 gang
10	ED770/6WE	○ White - 6 gang	
10	ED770/6UG		● Urban Grey - 6 gang
10	ED770/6BL		● Black - 6 gang
10	ED770/6MW	○ Matt White - 6 gang	
10	ED770/6MB		● Matt Black - 6 gang
10	ED770/40WE	Rocker mechanism 40A ○ White - 1 gang	
10	ED770/40UG	● Urban Grey - 1 gang	
10	ED770/40DPWE	Rocker mechanism double pole 40A ○ White - 1 gang	
10	ED770/40DPUG	● Urban Grey - 1 gang	
10	ED770/40DPCTPWE	Rocker mechanism double pole engraved 'COOKTOP' 40A ○ White - 6 gang	
10	ED770/40DPCTPUG	● Urban Grey - 6 gang	
10	ED770/40DPCTPBL	● Black - 6 gang	

For custom engraving please contact customer service.

Red catalogue number: new product

Light switches - dedicated plate series

IP66 and architrave



Pack	Cat No.	Vertical switches IP66 230-240V a.c.
10	ED770/1IPWE	Rocker mechanism SPDT 16A fluoro rated 16AX ○ White - 1 gang
10	ED770/1IPUG	
10	ED770/2IPWE	○ White - 2 gang
10	ED770/2IPUG	
10	ED770/3IPWE	○ White - 3 gang
10	ED770/4IPWE	○ White - 4 gang
5	ED770/1HIPWE	Horizontal switches IP66 230-240V a.c. Rocker mechanism SPDT 16A fluoro rated 16AX ○ White - 1 gang
5	ED770/2HIPWE	○ White - 2 gang
10	ED770/3FLHWE	Vertical Instant Heat Controller switches 230-240V a.c. Engraved light, fan, heat switch, 10A ○ White - 3 gang
5	ED770/3FLHCWE	Engraved light, fan, heat, 10A suits ducted device BH2DWE/MS ○ White - 3 gang
10	ED770/4FLHHWE	Engraved light, fan, heat x2, 10A ○ White - 4 gang
5	ED770/4FLHCWE	Engraved light, fan, heat x2, 10A suits ducted device BH4DWE/MS ○ White - 4 gang
10	EDA770/1WE	Architrave switches 230-240V a.c. Rocker mechanism SPDT 16A fluoro rated 16AX ○ White - 1 gang
10	EDA770/2WE	○ White - 2 gang
10	EDA770/3WE	○ White - 3 gang

Powerpoints - dedicated plate series



Pack	Cat No.	Horizontal powerpoints 230-240V a.c.
10	ED77WE	Horizontal powerpoints 230-240V a.c. Internal safety shutters on all powerpoints Double powerpoint 10A ○ White ● Urban Grey ● Black ○ Matt White ● Matt Black Double powerpoint with extra function hole 10A ○ White ● Urban Grey ● Black ○ Matt White ● Matt Black Double autoswitch powerpoint 10A ○ White ● Urban Grey ● Black Double round earth powerpoint 10A ○ White ● Urban Grey Double extra safety powerpoint 10A ○ White ● Urban Grey Double extra safety autoswitch powerpoint 10A ○ White ● Urban Grey Double powerpoint, double pole 10A ○ White ● Urban Grey Double powerpoint 15A ○ White ● Urban Grey 4 gang powerpoint 10A ○ White ● Urban Grey ● Black
10	ED77UG	
10	ED77BL	
10	ED77MW	
10	ED77MB	
10	ED77XWE	○ White ● Urban Grey ● Black ○ Matt White ● Matt Black
10	ED77XUG	
10	ED77XBL	
10	ED77XMW	
10	ED77XMB	
10	ED77AWE	○ White ● Urban Grey ● Black
10	ED77AUG	
10	ED77ABL	
10	ED77RWE	○ White ● Urban Grey
10	ED77RUG	
10	ED77ESWE	○ White ● Urban Grey
10	ED77ESUG	
10	ED77AESWE	○ White ● Urban Grey
10	ED77AESUG	
10	ED77DPWE	○ White ● Urban Grey
10	ED77DPUG	
10	ED7715WE	○ White ● Urban Grey
10	ED7715UG	
10	ED774WE	○ White ● Urban Grey ● Black
10	ED774UG	
10	ED774BL	
1	ED77EL10WE	Horizontal RCD protected powerpoints 230-240V a.c. Internal safety shutters on all powerpoints Double powerpoint 10A, 10mA RCD ○ White ● Urban Grey Double powerpoint 10A, 30mA RCD ○ White ● Urban Grey
1	ED77EL10UG	
1	ED77EL30WE	
1	ED77EL30UG	
1	ED77EL30UG	

Red catalogue number: new product

Pack	Cat No.	Horizontal USB powerpoints 230-240V a.c.
1	ED77USB2IWE	Horizontal USB powerpoints 230-240V a.c. Internal safety shutters on all powerpoints Double powerpoint 10A, with integrated USB charger 2.4A Type A ○ White ● Urban Grey ● Black ○ Matt White ● Matt Black Double powerpoint 10A, with USB charger 2x2.4A Type A ○ White ● Urban Grey Double Powerpoint 10A, with integrated USB charger 2.4A Type A+C ○ White ● Urban Grey ● Black ○ Matt White ● Matt Black Double powerpoint 10A, engraved "USB chargers", with USB charger 2x2.4A Type A ○ White ● Urban Grey ● Black Double powerpoint 10A, with USB charger 4.8A Type A & C ○ White ● Urban Grey ● Black Double powerpoint 10A, with USB charger Type C 60w (1 port) ○ White ● Urban Grey ● Black
1	ED77USB2IUG	
1	ED77USB2IBL	
1	ED77USB2IMW	
1	ED77USB2IMB	
1	ED77USB2PSAWE	○ White ● Urban Grey
1	ED77USB2PSAUG	
1	ED77USB2IACWE	○ White ● Urban Grey ● Black ○ Matt White ● Matt Black
1	ED77USB2IACUG	
1	ED77USB2IACBL	
1	ED77USB2IACMW	
1	ED77USB2IACMB	
1	ED77USBENGWE	○ White ● Urban Grey ● Black
1	ED77USBENGUG	
1	ED77USBENGBL	
1	ED77USB2ACWE	○ White ● Urban Grey ● Black
1	ED77USB2ACUG	
1	ED77USB2ACBL	
1	ED77USB1CWE	○ White ● Urban Grey ● Black
1	ED77USB1CUG	
1	ED77USB1CBL	
10	EDV77WE	Vertical double powerpoints 230-240V a.c. Internal safety shutters on all powerpoints Vertical double powerpoint 10A ○ White ● Urban Grey ● Black ○ Matt White ● Matt Black Vertical double powerpoint with extra function hole 10A ○ White ● Urban Grey ● Black ○ Matt White ● Matt Black Vertical double autoswitch powerpoint 10A ○ White ● Urban Grey
10	EDV77UG	
10	EDV77BL	
10	EDV77MW	
10	EDV77MB	
10	EDV77XWE	○ White ● Urban Grey ● Black ○ Matt White ● Matt Black
10	EDV77XUG	
10	EDV77XBL	
10	EDV77XMW	
10	EDV77XMB	
10	EDV77AWE	○ White ● Urban Grey
10	EDV77AUG	

Powerpoints - dedicated plate series



Pack	Cat No.	Horizontal single powerpoints 230-240V a.c.
10	ED787WE	Horizontal single powerpoints 230-240V a.c. Internal safety shutters on all powerpoints Single powerpoint 10A ○ White ● Urban Grey ● Black ○ Matt White ● Matt Black Single powerpoint with extra function hole 10A ○ White ● Urban Grey Single powerpoint with 2 extra function holes 10A ○ White ● Urban Grey Single round earth powerpoint 10A ○ White ● Urban Grey Single autoswitch powerpoint 10A ○ White ● Urban Grey Single round earth autoswitch powerpoint 10A ○ White ● Urban Grey Single double pole powerpoint 10A ○ White ● Urban Grey Single powerpoint 15A ○ White ● Urban Grey ● Black Single autoswitch powerpoint 15A ○ White ● Urban Grey Single powerpoint 20A ○ White ● Urban Grey Single powerpoint 25A ○ White ● Urban Grey Single powerpoint 32A unswitched ● White ● Urban Grey Black
10	ED787UG	
10	ED787BL	
10	ED787MW	
10	ED787MB	
10	ED787XWE	○ White ● Urban Grey
10	ED787XUG	
10	ED7872XWE	○ White ● Urban Grey
10	ED7872XUG	
10	ED787RWE	○ White ● Urban Grey
10	ED787RUG	
10	ED787AWE	○ White ● Urban Grey
10	ED787AUG	
10	ED787ARWE	○ White ● Urban Grey
10	ED787ARUG	
10	ED787DPWE	○ White ● Urban Grey
10	ED787DPUG	
10	ED78715WE	○ White ● Urban Grey ● Black
10	ED78715UG	
10	ED78715BL	
10	ED787A15WE	○ White ● Urban Grey
10	ED787A15UG	
10	ED78720WE	○ White ● Urban Grey
10	ED78720UG	
10	ED78725WE	○ White ● Urban Grey
10	ED78725UG	
10	ED787U32WE	● White ● Urban Grey Black
10	ED787U32UG	
10	ED787U32BL	

Red catalogue number: new product

Pack	Cat No.	Vertical single powerpoints 230-240V a.c.
10	EDV787WE	Vertical single powerpoints 230-240V a.c. Internal safety shutters on all powerpoints Vertical single powerpoint 10A ○ White ● Urban Grey ● Black ○ Matt White ● Matt Black Vertical single powerpoint with extra function hole 10A ○ White ● Urban Grey Vertical single powerpoint with 2 extra function holes 10A ○ White ● Urban Grey Vertical single round earth powerpoint 10A ○ White ● Urban Grey Vertical single autoswitch round earth powerpoint 10A ○ White ● Urban Grey Vertical single powerpoint 15A ○ White ● Urban Grey Vertical single autoswitch powerpoint 15A ○ White ● Urban Grey
10	EDV787UG	
10	EDV787BL	
10	EDV787MW	
10	EDV787MB	
10	EDV787XWE	○ White ● Urban Grey
10	EDV787XUG	
10	EDV7872XWE	○ White ● Urban Grey
10	EDV7872XUG	
10	EDV787RWE	○ White ● Urban Grey
10	EDV787RUG	
10	EDV787ARWE	○ White ● Urban Grey
10	EDV787ARUG	
10	EDV787A15WE	○ White ● Urban Grey
10	EDV787A15UG	

Mechanical mechanisms



Pack	Cat No.	Rocker switch mechanisms 230-240V a.c., 16A
10	EM770WE	Single pole double throw fluoro rated 16AX M100 motor rating ○ White ● Urban Grey ● Black ○ Matt White ● Matt Black
10	EM770UG	
10	EM770BL	
10	EM770MW	
10	EM770MB	
10	EM770LEDFWE	
10	EM770LEDFUG	
10	EM770LEDFBL	
10	EM770XWE	Single pole double throw spring return ○ White ● Urban Grey ● Black
10	EM770XUG	
10	EM770XBL	
10	EM770DPWE	Double pole single throw fluoro rated 10AX ○ White ● Urban Grey ● Black
10	EM770DPUG	
10	EM770DPBL	
10	EM770PRDWE	Double pole single throw with Red indicator fluoro rated 10AX ○ White ● Urban Grey
10	EM770PRDUG	
10	EM770DUOWE	2 x single pole single throw fluoro rated 10AX M50 motor rating ○ White ● Urban Grey
10	EM770DUOUG	
10	EM770IMWE	Intermediate switch 10A fluoro rated 10AX ○ White ● Urban Grey ● Black ○ Matt White ● Matt Black
10	EM770IMUG	
10	EM770IMBL	
10	EM770IMMW	
10	EM770IMMB	
10	EM770IMLEDWE	Intermediate switch with illuminated Blue LED ring ○ White - 1 gang
10	EM770RDWE	Single pole double throw with Red indicator fluoro rated 16AX ○ White ● Urban Grey
10	EM770RDUG	

Red catalogue number: new product

Mechanical mechanisms



Pack	Cat No.	Mechanical push-button switches
10	EM970WE	Single Pole 2 Way switch 10A/10AX ○ White ● Urban Grey ● Black ○ Matt White ● Matt Black
10	EM970UG	
10	EM970BL	
10	EM970MW	
10	EM970MB	
10	EM970LWE	
10	EM970LUGBL	
10	EM970LMW	
10	EM970LMB	Intermediate switch 10A/10AX ○ White ● Urban Grey ● Black ○ Matt White ● Matt Black
10	EM970IMWE	
10	EM970IMUG	
10	EM970IMBL	
10	EM970IMMW	
10	EM970IMMB	Intermediate switch 10A/10AX with LED indicator ○ White ● Black/Urban Grey ○ Matt White ● Matt Black
10	EM970LIMWE	
10	EM970LIMUGBL	
10	EM970LIMMW	
10	EM970LIMMB	Momentary switch 10A ○ White ● Urban Grey ● Black ○ Matt White ● Matt Black
10	EM970BPWE	
10	EM970BPUG	
10	EM970BPBL	
10	EM970BPMW	
10	EM970BPMB	Momentary switch 10A with LED indicator ○ White ● Black/Urban Grey ○ Matt White ● Matt Black
10	EM970LBPWE	
10	EM970LBPUGBL	
10	EM970LBPMW	
10	EM970LBPMB	Low voltage 12V d.c. switch 5A with LED indicator White/Black/Urban Grey
10	EM970LELVWEUGBL	

Red catalogue number: new product

Mechanical mechanisms engraved



EM770BYPASSWE



EM770DAYNIGHTWE



EM770KITCHENWE



EM770/20HWSWE



EM770/32OVENWE

MARKED AS	Amp Rating	Mechanism Type	Pack	Cat No.				
				White	Urban Grey	Black	Matt White	Matt Black
AIR CON	16AX	SPDT	10	EM770AIRCONWE	EM770AIRCONUG	EM770AIRCONBL		
AIR CON	20A	SPDT	10	EM770/20ACWE	EM770/20ACUG			
AUTO/MAN	16AX	SPDT	10	EM770AUTOMANWE	EM770AUTOMANUG	EM770AUTOMANBL		
BED1	16AX	SPDT	10	EM770BED1WE	EM770BED1UG			
BED2	16AX	SPDT	10	EM770BED2WE	EM770BED2UG			
BED3	16AX	SPDT	10	EM770BED3WE	EM770BED3UG			
BED4	16AX	SPDT	10	EM770BED4WE	EM770BED4UG			
BYPASS	16AX	SPDT	10	EM770BYPASSWE	EM770BYPASSUG			
D/WASH	16AX	SPDT	10	EM770D/WASHWE	EM770D/WASHUG	EM770D/WASHBL	EM770D/WASHMW	EM770D/WASHMB
DAY/NIGHT	16AX	SPDT	10	EM770DAYNIGHTWE	EM770DAYNIGHTUG			
DINING	16AX	SPDT	10	EM770DININGWE	EM770DININGUG			
DOOR	16A	SPDT	10	EM770XDOORWE	EM770XDOORUG			
EXHAUST	16AX	SPDT	10	EM770EXHWE	EM770EXHUG			
FAN	16AX	SPDT	10	EM770FANWE	EM770FANUG	EM770FANBL	EM770FANMW	EM770FANMB
FIRE	16AX	SPDT	10	EM770FIREWE	EM770FIREUG	EM770FIREBL		
FRIDGE	16AX	SPDT	10	EM770FRIDGEWE	EM770FRIDGEUG	EM770FRIDGEBL	EM770FRIDGEMW	EM770FRIDGEMB
GAMES	16AX	SPDT	10	EM770GAMESWE	EM770GAMESUG			
GARDEN	16AX	SPDT	10	EM770GARDENWE	EM770GARDENUG	EM770GARDENBL		
HEAT	16A	2XSPST	10	EM770DUOHTWE	EM770DUOHTUG			
HEAT	16AX	SPDT	10	EM770HEATWE	EM770HEATUG	EM770HEATBL	EM770HEATMW	EM770HEATMB
HOB	16AX	SPDT	10	EM770HOBWE	EM770HOBUG			
HOB	32A	SPST	10	EM770/32HOBWE	EM770/32HOBUG	EM770/32HOBBL	EM770/32HOBMW	EM770/32HOBMB
HOOD	16AX	SPDT	10	EM770HOODWE	EM770HOODUG	EM770HOODBL	EM770HOODMW	EM770HOODMB
HOT PLATE	32A	SPST	10	EM770/32HOTPWE	EM770/32HOTPUG			
HWS	20A	SPDT	10	EM770/20HWSWE	EM770/20HWSUG			
KITCHEN	16AX	SPDT	10	EM770KITCHENWE	EM770KITCHENUG	EM770KITCHENBL		
LIGHT	16AX	SPDT	10	EM770LIGHTWE	EM770LIGHTUG	EM770LIGHTBL	EM770LIGHTMW	EM770LIGHTMB
LIVING	16AX	SPDT	10	EM770LIVINGWE	EM770LIVINGUG	EM770LIVINGBL		
LOUNGE	16AX	SPDT	10	EM770LOUNGEWE	EM770LOUNGEUG	EM770LOUNGEBL		
MICRO	16AX	SPDT	10	EM770MICROWAVEWE	EM770MICROWAVEUG	EM770MICROWAVEBL	EM770MICROWAVMW	EM770MICROWAVMB
MIRROR	16AX	SPDT	10	EM770MIRRORWE	EM770MIRRORUG	EM770MIRRORBL		
OFFICE	16AX	SPDT	10	EM770OFFICEWE	EM770OFFICEUG	EM770OFFICEBL		
OUTSIDE	16AX	SPDT	10	EM770OUTSIDEWE	EM770OUTSIDEUG	EM770OUTSIDEBL		
OVEN	32A	SPST	10	EM770/32OVENWE	EM770/32OVENUG	EM770/32OVENBL	EM770/32OVENMW	EM770/32OVENMB
PRESS	16A	SPDT	10	EM770XPRESSWE	EM770XPRESSUG			
RANGE	32A	SPST	10	EM770/32RANGWE	EM770/32RANGUG	EM770/32RANGEBL	EM770/32RANGEMW	EM770/32RANGEMB
RESET	16A	SPDT	10	EM770XRESETWE	EM770XRESETUG			
RUMPUS	16AX	SPDT	10	EM770RUMPUSWE	EM770RUMPUSUG			
SENSOR	16AX	SPDT	10	EM770SENSORWE	EM770SENSORUG	EM770SENSORBL	EM770SENSORMW	EM770SENSORMB
TV	16AX	SPDT	10	EM770TVWE	EM770TVUG	EM770TVBL		
WASTE	16AX	SPDT	10	EM770WASTEWE	EM770WASTEUG	EM770WASTEBL	EM770WASTEMW	EM770WASTEMB
ZONE 1	16AX	SPDT	10	EM770ZONE1WE	EM770ZONE1UG			
ZONE 2	16AX	SPDT	10	EM770ZONE2WE	EM770ZONE2UG			
ZONE 3	16AX	SPDT	10	EM770ZONE3WE	EM770ZONE3UG			
ZONE 4	16AX	SPDT	10	EM770ZONE4WE	EM770ZONE4UG			

Legend

SPDT = single pole, double throw
 DPXT = double pole cross-over
 AX = fluorescent rated switch

DPST = double pole, single throw
 NC = normally closed

For custom engraving please contact customer service using EM770PRINTWE, EM770PRINTUG or EM770PRINTBL

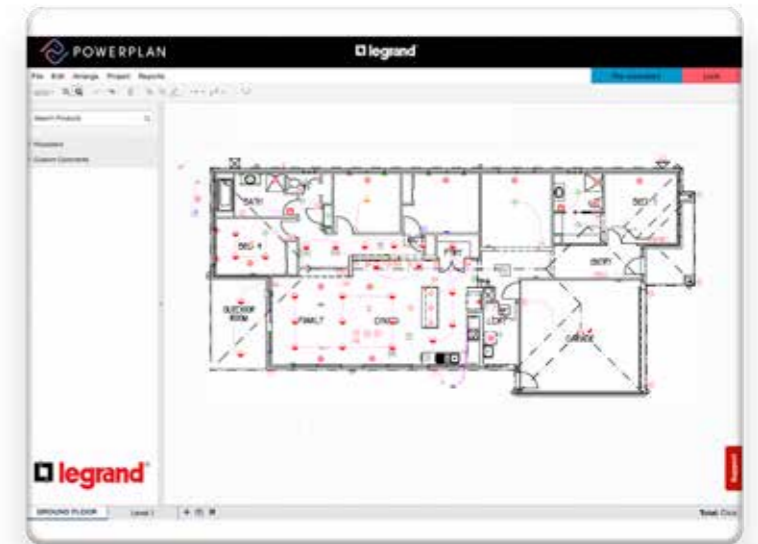
Red catalogue number: new product



POWERPLAN & EXCEL LIFE

POWERPLAN has been designed to simplify electrical consultations by creating visual floor plans which can be edited in seconds. Created with the builder in mind, it allows consultants to quickly and easily develop an electrical plan prior and during the customer's appointment, allowing for up-sell opportunities.

- Design electrical plans quickly and easily
- Import and print high quality floor plans
- Directly comment on floor plans
- Manage pricing files
- Add and filter your product database through product categories
- Generate accurate quote in seconds
- User friendly visual tool
- Reliable and secure web application



Electronic mechanisms



Pack	Cat No.	Electronic push-button switch mechanisms 230-240V a.c.
10	EM883WE	Pilot LED can be programmed to be Blue or Red See p46 for wiring diagrams Electronic push-button 5A fluoro rated 500VA ○ White ● Urban Grey ● Black ○ Matt White ● Matt Black
10	EM883UG	
10	EM883BL	
10	EM883MW	
10	EM883MB	
10	EM800SLAVEWE	Secondary control push-button ○ White ● Urban Grey ● Black ○ Matt White ● Matt Black
10	EM800SLAVEUG	
10	EM800SLAVEBL	
10	EM800SLAVEMW	
10	EM800SLAVEMB	
10	EM400A2PWE	Push-button dimmer mechanisms 230-240V a.c. Pilot LED can be programmed to be Blue or Red. See p47 for wiring diagrams Electronic push-button 350VA all-load ○ White ● Urban Grey ● Black ○ Matt White ● Matt Black
10	EM400A2PUG	
10	EM400A2PBL	
10	EM400A2PMW	
10	EM400A2PMB	
10	EM400A3PWE	Electronic push-button 350VA all-load (neutral required) ○ White ● Urban Grey ● Black ○ Matt White ● Matt Black
10	EM400A3PUG	
10	EM400A3PBL	
10	EM400A3PMW	
10	EM400A3PMB	

Red catalogue number: new product

Electronic mechanisms



Pack	Cat No.	PIR movement sensor mechanisms 230-240V a.c.
10	EM803PIRWE	Can be programmed from 5 sec to 30min and 1 to 2,000 lux Automatic 3 wire 5A ○ White ● Urban Grey ● Black
10	EM803PIRUG	
10	EM803PIRBL	
10	EM803PIRSWE	Manual Override 3 wire 5A ○ White ● Urban Grey ● Black
10	EM803PIRSUG	
10	EM803PIRSBL	
10	EM802TDWE	Programmable time delay switch mechanisms 230-240V a.c. 2 wire all load 400VA Can be programmed from 1-10 minutes in steps of 1 minute ○ White ● Urban Grey
10	EM802TDUG	
10	EM803TDWE	Can be programmed from 1-60 minutes in steps of 5 minutes ○ White ● Urban Grey
10	EM803TDWE	
10	EM803SURGEWE	Surge protection switch mechanism 230-240V a.c., 500J ○ White ● Urban Grey
10	EM803SURGEUG	
10	EMELVNWE	Extra low-voltage 12V d.c. push-button mechanisms With LED indicator ○ White ● Urban Grey
10	EMELVNUG	
10	EMELVWE	Without LED indicator ○ White ● Urban Grey
10	EMELVUG	

Pack	Cat No.	Illumination switch mechanisms 230-240V a.c.
10	EM770LEDWE	See p50 for wiring diagram EM770 illumination blue LED kit ○ White ● Urban Grey ● Black
10	EM770LEDUG	
10	EM770LEDBL	
10	EM803LEDWE	White LED and coloured lenses kit ○ White ● Urban Grey
10	EM803LEDUG	
10	EMPAPS1WE	Power available and 1 gang power supplied indicator kit ○ White ● Urban Grey
10	EMPAPS1UG	
10	EMPAPS2WE	Power available and 2 gang power supplied indicator kit ○ White ● Urban Grey
10	EMPAPS2UG	
10	EMPAWE	Power available indicator kit (Amber) ○ White ● Urban Grey
10	EMPAUG	
10	EMPS1WE	Power supplied to 1 outlet indicator kit (Red) ○ White ● Urban Grey
10	EMPS1UG	
10	EMPS2WE	Power supplied to 2 outlets indicator kit ○ White ● Urban Grey
10	EMPS2UG	

Red catalogue number: new product

RJ11 CAT 3 voice sockets and RJ45 CAT 5E sockets



EMRJ11C3WE EMRJ11C3BL EMRJ45C5EUBU EMRJ45C5EGR EMRJ45C6RD EMRJ45C6YE EMKEYSTONEAWE EMKEYSTONEBWE

Pack	Cat No.	RJ11 voice sockets
10	EMRJ11C3WE	Additional slot available for looping. Compatible with both Krone and IDC termination tools ○ White
10	EMRJ11C3BL	● Black
10	EMRJ11C3BU	● Blue
10	EMRJ11C3GR	● Green
10	EMRJ11C3RD	● Red
10	EMRJ11C3YE	● Yellow

Pack	Cat No.	RJ45 data sockets
10	EMRJ45C5EWE	Compatible with both Krone and IDC termination tools ○ White
10	EMRJ45C5EBL	● Black
10	EMRJ45C5EUBU	● Blue
10	EMRJ45C5EGR	● Green
10	EMRJ45C5ERD	● Red
10	EMRJ45C5EYE	● Yellow

RJ45 CAT 6 data sockets and Keystone adapters



Pack	Cat No.	RJ45 data sockets
10	EMRJ45C6WE	Compatible with both Krone and IDC termination tools ○ White
10	EMRJ45C6BL	● Black
10	EMRJ45C6BU	● Blue
10	EMRJ45C6GR	● Green
10	EMRJ45C6RD	● Red
10	EMRJ45C6YE	● Yellow

Pack	Cat No.	RJ45 data sockets Cat. 6A
10	EMRJ45C6AWE	○ White
10	EMRJ45C6ABL	● Black

Pack	Cat No.	Keystone adapters
10	EMKEYSTONEAWE	○ White
10	EMKEYSTONEAUG	● Urban Grey
10	EMKEYSTONEABL	● Black

Pack	Cat No.	Suits Panduit keystone jacks
10	EMKEYSTONEBWE	○ White
10	EMKEYSTONEBUG	● Urban Grey

Pack	Cat No.	Suits Systimax keystone jacks
10	EMKEYSTONECWE	○ White
10	EMKEYSTONECUG	● Urban Grey

Pack	Cat No.	Suits Tyco/AMP keystone jacks
10	EMKEYSTONEDWE	○ White
10	EMKEYSTONEDUG	● Urban Grey

Pack	Cat No.	Suits Molex keystone jacks
10	EMKEYSTONEEWE	○ White
10	EMKEYSTONEEUG	● Urban Grey

Pack	Cat No.	Suits Legrand LCS ² tooless jacks
10	EMKEYSTONELWE	○ White
10	EMKEYSTONELUG	● Urban Grey
10	EMKEYSTONELBL	● Black

Red catalogue number: new product

Audio and video sockets and devices



EMFFFOXWE EMSPWE EMRCARDWE

Pack	Cat No.	Audio and video mechanisms
10	EMHDMIWE	HDMI 2.0 outlet Female-to-female straight connector ○ White
10	EMFFFOXWE	Video sockets F to F TV outlet 75 ohm 3.0GHz (Foxtel approved) F30583 ○ White
10	EMFFFOXUG	● Urban Grey
10	EMFFFOXBL	● Black
10	EMPFWE	Video sockets PAL to F TV outlet – White ○ White
10	EMPFUG	● Urban Grey
10	EMPFBL	● Black
10	EMSPWE	PAL to saddle TV outlet – White ○ White
10	EMSPUG	● Urban Grey
10	EMSPBL	● Black
10	EMRCARDWE	RCA sockets RCA to RCA outlet – Red ○ White
10	EMRCARDUG	● Urban Grey
10	EMRCAWEWE	RCA sockets RCA to RCA outlet – White ○ White
10	EMRCAWEUG	● Urban Grey
10	EMRCAYELWE	RCA sockets RCA to RCA outlet – Yellow ○ White
10	EMRCAYELUG	● Urban Grey
10	EM800BPBLWE	Audio 'Banana' outlet Ø 4mm – Black Marking ○ White
10	EM800BPBLUG	● Urban Grey
10	EM800BPRDWE	Audio 'Banana' outlet Ø 4mm – Red Marking ○ White
10	EM800BPRDUG	● Urban Grey
12	EM910USBWE	HDMI and USB extensions Used with ECFRAME or EC910GPLWE, or Panel Mount Adaptors. Insert dimension 25 x 57mm USB insert with extension lead 150mm ○ White
12	EM910USBBL	● Black
12	EM910HDMIWE	HDMI insert with extension lead 150mm ○ White
12	EM910HDMIBL	● Black

Red catalogue number: new product

USB and wireless chargers



EMUSB2PSAWE 077850 EMUSB2ACWE

Pack	Cat No.	USB charger mechanisms 230-240V a.c.
12	EMUSB2PSAWE	Dual USB Charger Mechanism 2x2.4A Type A ○ White
12	EMUSB2PSAUG	● Urban Grey
12	EMUSB2PSABL	● Black
12	EMUSB2ACWE	Dual USB Charger Mechanism 4.8A Type A and C ○ White
12	EMUSB2ACUG	● Urban Grey
12	EMUSB2ACBL	● Black
1	EMUSB1CWE	USB charger mechanism, Type C, 60W (single port) ○ White
1	EMUSB1CUG	● Urban Grey
1	EMUSB1CBL	● Black
1	EDWCWEMS	Wireless Chargers Wall-mount 1A Supplied complete with grid & plate ○ White
1	EDWCUGMS	● Urban Grey
1	EDWCBLMS	● Black
1	ECWCWEMS	○ White
1	077599	Weatherproof 1A IP66-1K10 ● Silver/Black
1	077580	Table top/ Desk mount 1A ● Silver

Grids and coverplates



Pack	Cat No.	Dedicated Plate Series grids and coverplates only
10	ED770/0GPLWE	○ White - Blank
10	ED770/0GPLUG	● Urban Grey - Blank
10	ED770/0GPLBL	● Black - Blank
10	ED770/1GPLWE	○ White - 1 gang
10	ED770/1GPLUG	● Urban Grey - 1 gang
10	ED770/1GPLBL	● Black - 1 gang
10	ED770/1GPLMW	○ Matt White - 1 gang
10	ED770/1GPLMB	● Matt Black - 1 gang
10	ED770/2GPLWE	○ White - 2 gang
10	ED770/2GPLUG	● Urban Grey - 2 gang
10	ED770/2GPLBL	● Black - 2 gang
10	ED770/2GPLMW	○ Matt White - 2 gang
10	ED770/2GPLMB	● Matt Black - 2 gang
10	ED770/3GPLWE	○ White - 3 gang
10	ED770/3GPLUG	● Urban Grey - 3 gang
10	ED770/3GPLBL	● Black - 3 gang
10	ED770/3GPLMW	○ Matt White - 3 gang
10	ED770/3GPLMB	● Matt Black - 3 gang
10	ED770/4GPLWE	○ White - 4 gang
10	ED770/4GPLUG	● Urban Grey - 4 gang
10	ED770/4GPLBL	● Black - 4 gang
10	ED770/4GPLMW	○ Matt White - 4 gang
10	ED770/4GPLMB	● Matt Black - 4 gang
10	ED770/5GPLWE	○ White - 5 gang
10	ED770/5GPLUG	● Urban Grey - 5 gang
10	ED770/5GPLBL	● Black - 5 gang
10	ED770/5GPLMW	○ Matt White - 5 gang
10	ED770/5GPLMB	● Matt Black - 5 gang
10	ED770/6GPLWE	○ White - 6 gang
10	ED770/6GPLUG	● Urban Grey - 6 gang
10	ED770/6GPLBL	● Black - 6 gang
10	ED770/6GPLMW	○ Matt White - 6 gang
10	ED770/6GPLMB	● Matt Black - 6 gang

Pack	Cat No.	Architrave Dedicated Plate Series grids and coverplates only
10	EDA770/1GPLWE	○ White - 1 gang
10	EDA770/1GPLUG	● Urban Grey - 1 gang
10	EDA770/1GPLBL	● Black - 1 gang
10	EDA770/2GPLWE	○ White - 2 gang
10	EDA770/2GPLUG	● Urban Grey - 2 gang
10	EDA770/2GPLBL	● Black - 2 gang
10	EDA770/3GPLWE	○ White - 3 gang
10	EDA770/3GPLUG	● Urban Grey - 3 gang
10	EDA770/3GPLBL	● Black - 3 gang
10	EDA770/4GPLWE	○ White - 4 gang
10	EDA770/4GPLUG	● Urban Grey - 4 gang
10	EDA770/4GPLBL	● Black - 4 gang

Pack	Cat No.	Dedicated Plate Series module grid and coverplate only
10	ED920GPLWE	2 module grid and coverplate only Suits 2 module insert 45x45mm
10	ED920GPLBL	○ White ● Black
10	ED20A/4KTWE	Hospitality 230-240V a.c.
10	ED20A/4KTUG	Dedicated Plate Series mechanical keycard 85mmx54mm switch white 4 x 20A
10	ED20A/4KTBL	○ White ● Urban Grey ● Black
10	EDKFSWE	Dedicated Plate Series electronic key fob switch with 30 second time delay ○ White
2	ED798BL	Common and Dedicated Plate Series shaver outlet 230-240V a.c., 22VA ● Black
1	PROBK1	Bluetooth Sound Diffusion Kit Includes Bluetooth sound receiver, Excel life grid & plate, power supply 15V d.c., plug base, 10 metre speaker cable and 2 speakers
1	PROBK2	In-ceiling speakers ○ White White Speakers In-wall speakers ○ White Black Speakers

Red catalogue number: new product

Coverplates



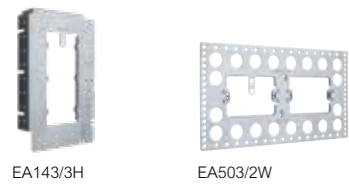
Dedicated Switches – Coverplate Only

Finish	ED770/1PLWE	ED770/2PLWE	ED770/3PLWE	ED770/4PLWE	ED770/5PLWE	ED770/6PLWE	ED920PLWE	EDCWPLWE
White	ED770/1PLWE	ED770/2PLWE	ED770/3PLWE	ED770/4PLWE	ED770/5PLWE	ED770/6PLWE	ED920PLWE	EDCWPLWE
Urban Grey	ED770/1PLUG	ED770/2PLUG	ED770/3PLUG	ED770/4PLUG	ED770/5PLUG	ED770/6PLUG	ED920PLUG	EDCWPLUG
Black	ED770/1PLBL	ED770/2PLBL	ED770/3PLBL	ED770/4PLBL	ED770/5PLBL	ED770/6PLBL	ED920PLBL	EDCWPLBL
Matt Silver	ED770/1PLMS	ED770/2PLMS	ED770/3PLMS	ED770/4PLMS	ED770/5PLMS	ED770/6PLMS	ED920PLMS	EDCWPLMS

Dedicated Powerpoints – Coverplate Only

Finish	ED787PLWE	ED777PLWE	ED777XPLWE	ED777APLWE	EDV787PLWE	EDV777PLWE	EDV777XPLWE	EDV777APLWE
White	ED787PLWE	ED777PLWE	ED777XPLWE	ED777APLWE	EDV787PLWE	EDV777PLWE	EDV777XPLWE	EDV777APLWE
Urban Grey	ED787PLUG	ED777PLUG	ED777XPLUG		EDV787PLUG	EDV777PLUG	EDV777XPLUG	EDV777APLUG
Black	ED787PLBL	ED777PLBL	ED777XPLBL		EDV787PLBL	EDV777PLBL	EDV777XPLBL	
Matt Silver	ED787PLMS	ED777PLMS	ED777XPLMS		EDV787PLMS	EDV777PLMS	EDV777XPLMS	

Installation brackets



EA143/3H EA503/2W

Pack	Cat No.	Mounting brackets
		84mm spacing centres
Stud Bracket		
10	143	Horizontal stud bracket
10	143/2	Horizontal stud bracket with nails
10	143/2V	Vertical stud bracket with nails
10	143U	Universal horizontal or vertical stud bracket with nails
10	EA143/2W	2 gang horizontal stud bracket
10	EA143/3W	3 gang horizontal stud bracket
10	EA143/2H	2 gang vertical stud bracket
10	EA143/3H	3 gang vertical stud bracket
10	EA143/4H	4 gang vertical stud bracket
Render Bracket		
20	954	1 gang render bracket
10	EA503/2W	2 gang horizontal render bracket
10	EA503/3W	3 gang horizontal render bracket
10	EA503/2H	2 gang vertical render bracket
10	EA503/3H	3 gang vertical render bracket
10	EA503/4H	4 gang vertical render bracket

Installation brackets and wall boxes



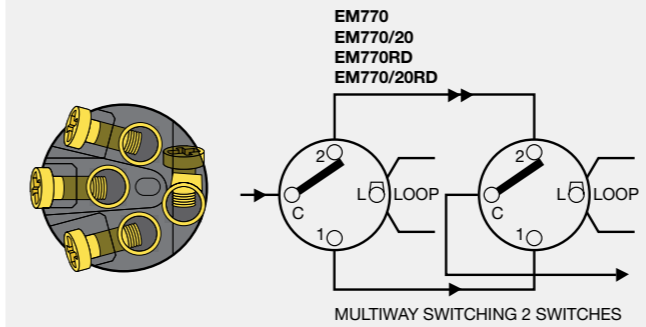
712 429R

Pack	Cat No.	Mounting brackets
		84mm spacing centres
Plaster Bracket		
50	711	Plaster 6.5mm board bracket
50	712	Plaster 10mm board bracket
Wall Boxes		
Plastic wall box		
10	429R	Recessed wall box with sliding nuts, retention clips and protective cover
Fire and acoustic wall box		
1	435	Cable entry top and rear. Fastening arms allow for 10mm to 32mm thick plaster/cement boards. 2hr and 3hr fire rated. Weighted sound reduction index (Rw) 62

Mechanical switch mechanism wiring diagrams

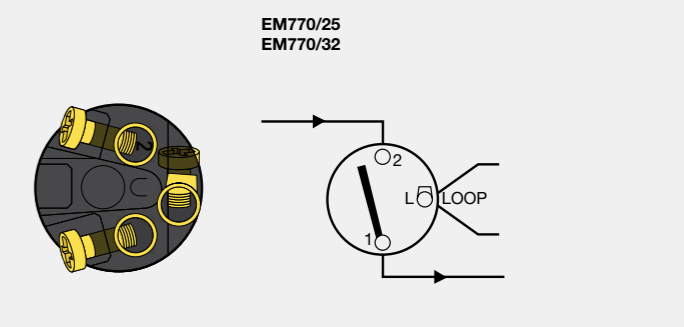
1 & 2 Way (SPDT) EM770 Series 240V a.c.

Cat. No.	Legend	Loop	Amp Rating	Body Colour
EM770 / EM770RD	SPDT	1L	16A/16AX	Black
EM770/20 / EM770/20RD	SPDT	1L	20A/20AX	Black



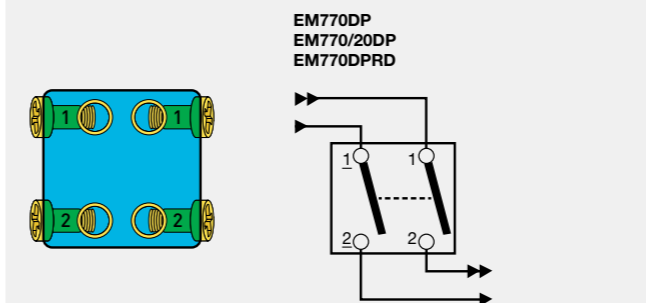
1 Way (SPST) EM770 Series 240V a.c.

Cat. No.	Legend	Loop	Amp Rating	Body Colour
EM770/25	SPST	1L	25A/20AX	Grey
EM770/32	SPST	1L	32A/20AX	Grey



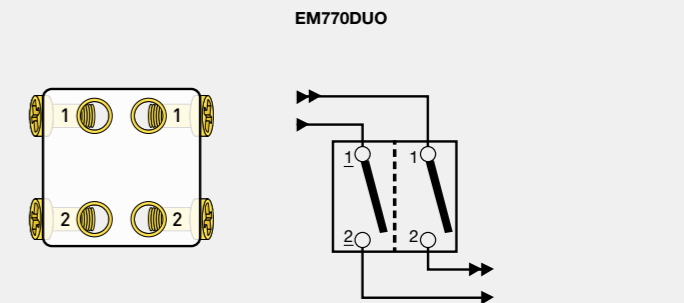
Double Pole (DPST) EM770DP Series 240V a.c.

Cat. No.	Legend	Loop	Amp Rating	Body Colour
EM770DP / EM770DPRD	DPST	0L	16A/10AX	Blue
EM770/20DP	DPST	0L	20A/10AX	Blue



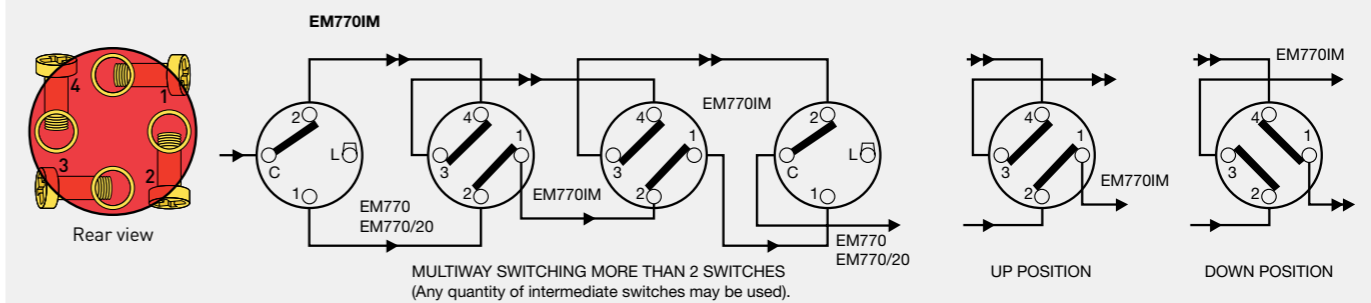
Duo Series 2 x 1 Way (2 x SPST) 240V a.c.

Cat. No.	Legend	Loop	Amp Rating	Body Colour
EM770DUO	2xSPST	0L	16A/10AX	White



Intermediate (DPXT - Crossover) EM770I Series 240V a.c.

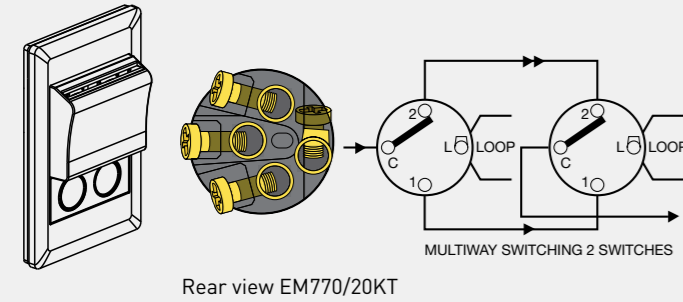
Cat. No.	Legend	Loop	Amp Rating	Body Colour
EM770IM	DPXT	0L	16A	Red



Mechanical switch mechanism wiring diagrams

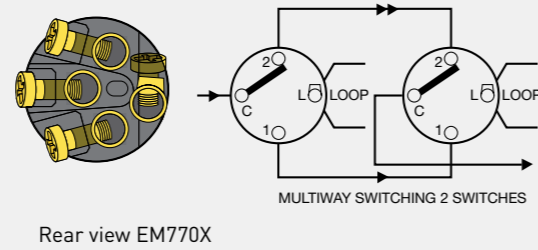
KeyTag - 1 Way (SPST) EM770/20KT

Cat. No.	Legend	Loop	Amp Rating	Motor Rating	Body Colour
EM770/20KT	SPDT	1L	20A	M80	Black



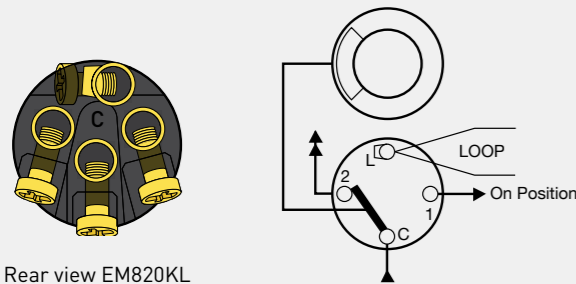
Push-Buttons 1 & 2 Way (SPDT) - Non latching EM770X Series 240V a.c.

Cat. No.	Legend	Loop	Amp Rating	Body Colour
EM770X	SPDT	1L	16A	Black



Keylock Switch Assembly - 1 & 2 Way (SPDT) 770 Series 240V a.c.

Cat. No.	Legend	Loop	Amp Rating	Motor Rating	Body Colour
EM820KLO	SPDT	1L	20A	M80	Black
EM820KLI	SPDT	1L	20A	M80	Black
EM820KLIO	SPDT	1L	20A	M80	Black



Colour code (Position in which key can be removed).

- WHITE - OFF (O)
- GREY - ON (I)
- BEIGE - ON (I) and OFF (O)

Legend

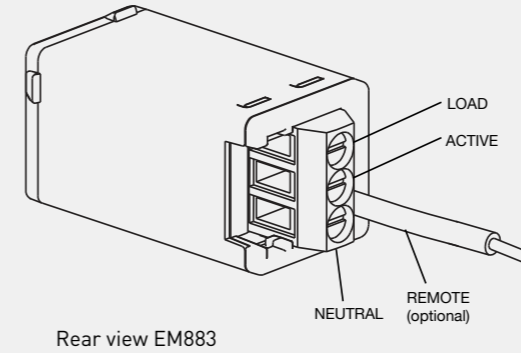
- SPST = single pole, single throw
- SPDT = single pole, double throw
- DPDT = double pole, double throw
- DPST = double pole, single throw
- DPXT = double pole cross-over
- NC = normally closed
- NO = normally opened
- L = Loop

Using X Rating

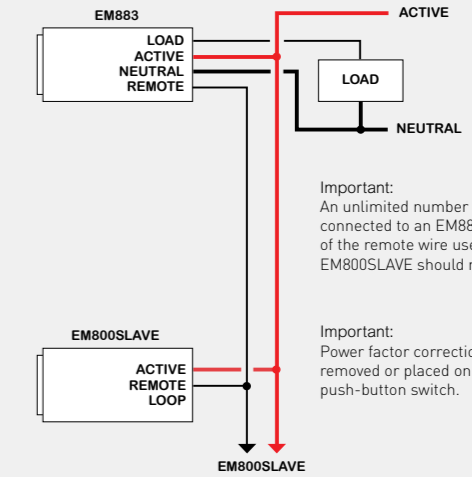
Excel Life series switches marked with an 'X' are suitable for fluorescent installations up to the switch rating.

Electronic push-button switch mechanism wiring diagrams

Electronic push-button switch wiring diagram EM883WE



■ Connect optional Secondary Control Buttons (EM800SLAVE) to enable switching from multiple locations.



Technical characteristics

	Incandescent	Halogen	Fluorescent tube	Wirewound transformer	Electronic transformer	Compact fluorescent	LED	Fan motor
 + 50°C + 0°C 230-240V a.c. 50Hz	 1 x 2.5mm ² 2 x 1.5mm ²							
Max load	1200W	1200W	500VA	500VA	500VA	500VA	500VA	500VA

Minimum load = 0W for all load types

LED Indicator

- The colour of the LED indicator can be either red or blue. In addition, when the switch is off the LED indicator can either glow faintly or be off completely. The four possible modes are as follows:
- To change between modes, press and hold the push-button for at least 10 seconds. This will select the next mode in the sequence above.

MODE	STATUS OF LED INDICATOR	
	SWITCH ON	SWITCH OFF
1	Bright Red	Faint Red
2	Bright Blue	Faint Blue
3	Bright Red	Off
4	Bright Blue	Off



Electronic push-button dimmers and time-delay switches

Electronic push-button dimmer EM400A2P Technical characteristics

Temperature +50°C +0°C 230-240V a.c. 50Hz	Terminal block 1 x 2.5mm ² 2 x 1.5mm ²	<ul style="list-style-type: none"> Incandescent Halogen 	<ul style="list-style-type: none"> Halogen or dimmable LED with electronic transformer Dimmable compact fluorescent Dimmable LED without transformer 	<ul style="list-style-type: none"> Halogen with wirewound transformer 	Fluorescent tube	Fan motor	Max load	
							Max Power	Max number of transformers ¹
Max load	1 dimmer per plate	350W	350VA	8	X	X	X	X
	2 dimmers per plate	300W	300VA	8	X	X	X	X
	3 or more dimmers per plate	250W	250VA	8	X	X	X	X

Minimum load = 5W for all load types. Not compatible with all dimmable LEDs. Should be bench tested prior to installation

Note:

- In the case of dimmable compact fluorescent or dimmable LED without transformer, this is the maximum number of lamps.
- Where both max power and max number of transformers/lamps are specified, both conditions must be satisfied.
- When used in ambient temperatures greater than 25°C, the dimmer must be de-rated by 10% for every increase of 5°C.

Electronic push-button dimmer EM400A3P Technical characteristics

Temperature +50°C +0°C 230-240V a.c. 50Hz	Terminal block 1 x 2.5mm ² 2 x 1.5mm ²	<ul style="list-style-type: none"> Incandescent Halogen 	<ul style="list-style-type: none"> Halogen or dimmable LED with electronic transformer Dimmable compact fluorescent Dimmable LED without transformer 	<ul style="list-style-type: none"> Halogen or dimmable LED with wirewound transformer² 	Fluorescent tube	Fan motor	Max load	
							Max Power	Max number of transformers ¹
Max load	1 dimmer per plate	350W	350VA	8	300VA	6	X	X
	2 dimmers per plate	300W	300VA	8	250VA	6	X	X
	3 or more dimmers per plate	250W	250VA	8	200VA	6	X	X

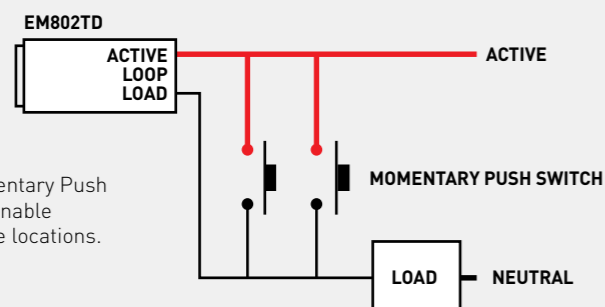
Minimum load = 5W for all load types. Not compatible with all dimmable LEDs. Should be bench tested prior to installation

Electronic push-button time delay EM802TD/EM803TD Technical characteristics

Temperature +50°C +0°C 230-240V a.c. 50Hz	Terminal block 1 x 2.5mm ² 2 x 1.5mm ²	Incandescent	Halogen	Fluorescent tube	Wirewound transformer	Electronic transformer	Compact fluorescent	LED	Fan motor
		Max load [802TD]	400W	400W	400VA*	X	400VA	400VA	400VA
Max load [803TD]	1200W	1200W	500VA	500VA	500VA	500VA	500VA	500VA	500VA

Minimum load = 10VA for all load types. * Electronic ballast only

Wiring EM802TD



- Connect optional Momentary Push Switches (EM770X) to enable switching from multiple locations.

Important:
An unlimited number of EM770XWE can be connected to an EM802TD. However, the total length of the load wire used to interconnect all of the EM770XWE should not exceed 50 metres.

Note:
For other technical details please refer to the installation instructions of each device.

Load compatibility disclaimer:
Although significant efforts have been made to ensure Dimmers are compatible with a large variety of drivers (CFL, LEDs), it is not possible to guarantee 100% compatibility with all devices.

Rotary dimmers

Rotary dimmers - EM250TR/EM400TR/EM700TR Technical characteristics

Temperature +50°C +0°C 230-240V a.c. 50Hz	Terminal block 1 x 2.5mm ² 2 x 1.5mm ²	Incandescent	Halogen	Fluorescent tube	Wirewound transformer	Electronic transformer	Compact fluorescent	LED	Fan motor
		Max load EM250TR	1 dimmer per plate	250W	250W	X	X	250VA	250VA see note 2
2 dimmers per plate	225W		225W	X	X	225VA	225VA see note 2	see note 1	X
3 or more dimmers per plate	200W		200W	X	X	200VA	200VA see note 2	see note 1	X
Max load EM400TR	1 dimmer per plate	400W	400W	X	X	400VA	400VA see note 2	see note 1	X
	2 dimmers per plate	350W	350W	X	X	350VA	350VA see note 2	see note 1	X
	3 dimmers per plate	300W	300W	X	X	300VA	300VA see note 2	see note 1	X
Max load EM700TR	1 dimmer per plate	700W	700W	X	X	700VA	700VA see note 2	see note 1	X

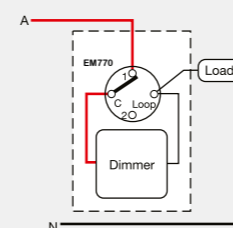
Minimum load = 10VA for all load types

NOTE 1: Not compatible with all dimmable LEDs. Should be bench tested prior to installation.

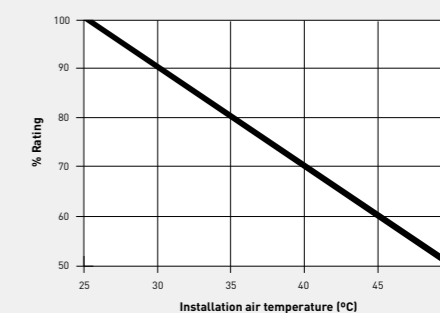
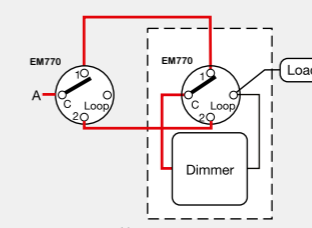
NOTE 2: Compact Fluorescent Lamps (CFLs) and LEDs, also known as Energy Saving Lamps, can only be dimmed if they are specifically marked as "dimmable". Dimmable CFLs may have different characteristics from brand to brand, and so each brand may require a specific type of dimmer to operate correctly. Using the incorrect dimmer may cause the CFL to flicker. Please read the documentation that comes with each CFL carefully to ensure that the CFL and dimmer are compatible. For more information, please contact HPM Legrand. In some cases, the dimmable CFL may turn off or flicker when dimmed to a very low brightness. This can be overcome by ensuring that the dimmer brightness is not set too low. See "Setting minimum brightness" for instructions on how to achieve this.

Wiring for rotary dimmers

One-way wiring diagram



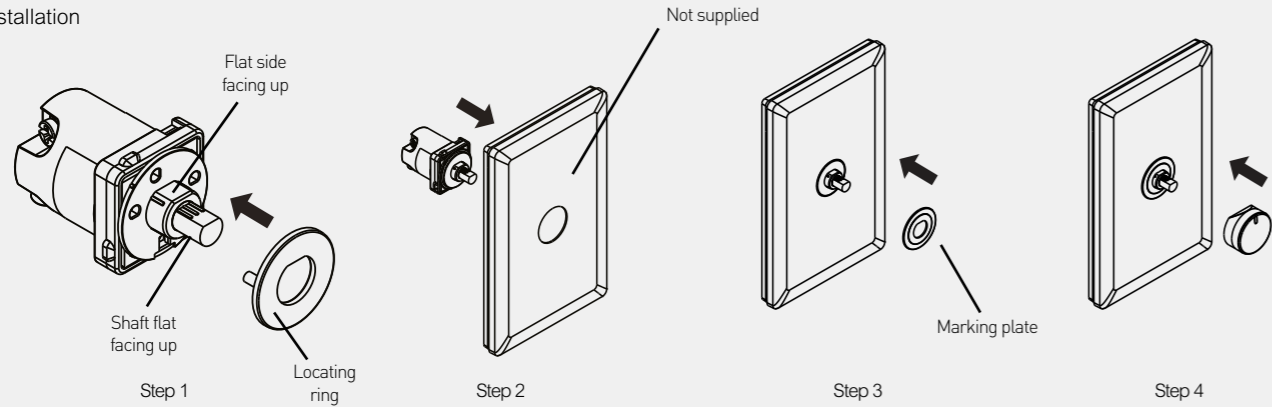
Two-way wiring diagram



Important:
When used in ambient temperatures greater than 25°C, the dimmer must be de-rated according to the following chart.

Rotary switch - EMRSWE/UG/BL

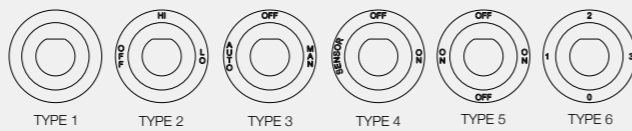
Installation



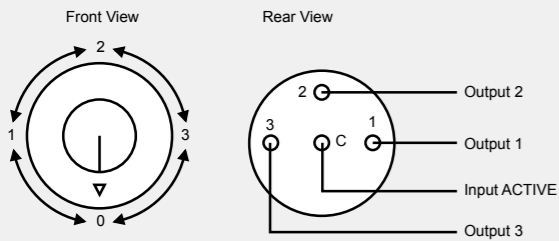
Rotation ring options



Marking plate options

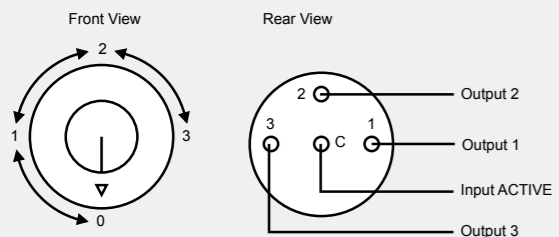


Wiring for 360° rotation



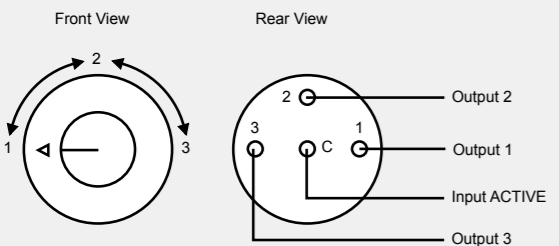
SELECT ONE OF THE FOLLOWING WIRING OPTIONS:				
POSITION				WIRING
0	1	2	3	
OFF	ON	ON	ON	Connect All Terminals
OFF	ON	OFF	ON	Do Not Connect Terminal 2

Wiring for 270° rotation



SELECT ONE OF THE FOLLOWING WIRING OPTIONS:				
POSITION				WIRING
0	1	2	3	
OFF	ON	ON	ON	Connect All Terminals

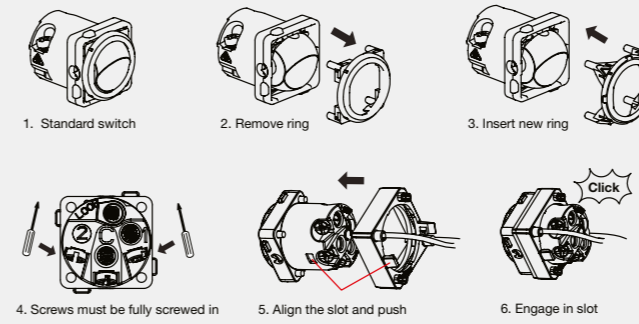
Wiring for 180° rotation



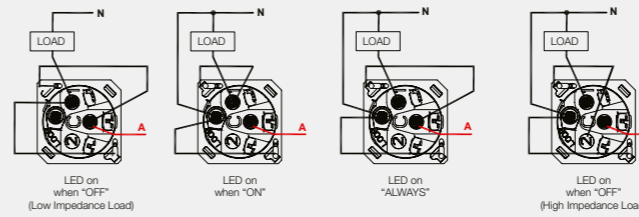
SELECT ONE OF THE FOLLOWING WIRING OPTIONS:				
POSITION				WIRING
1	2	3		
ON	ON	ON		Connect All Terminals
ON	OFF	ON		Do Not Connect Terminal 2
OFF	ON	ON		Do Not Connect Terminal 1
ON	ON	OFF		Do Not Connect Terminal 3

Illuminated LED ring kits

Installation EM770LED - LED 770 illumination kit



Wiring

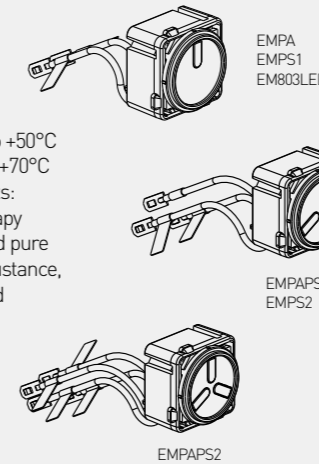


Note: Low Impedance Load examples include incandescent, halogen, resistive loads High Impedance Load examples include CFLs, LED globes

LED Power Available/Power Supplied Indicator Kits EMPAPS2, EMPAPS1, EMPA, EMPS1, EMPS2, EM803LED

Features

- Voltage: 230-240V a.c.
- Frequency: 50Hz
- Current: 1.2mA per indicator
- Operating temperature: -5°C to +50°C
- Storage temperature: -10°C to +70°C
- Resistant to the following agents: Hexane, methylated spirits, soapy water, diluted ammonia, diluted pure bleach (10%), glass cleaning substance, pre-impregnated wipes, diluted hydrogen peroxide
- Not resistant to the following agents: Acetone, tar remover, trichloroethylene

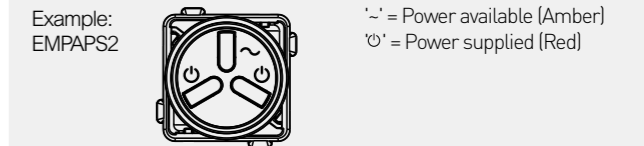
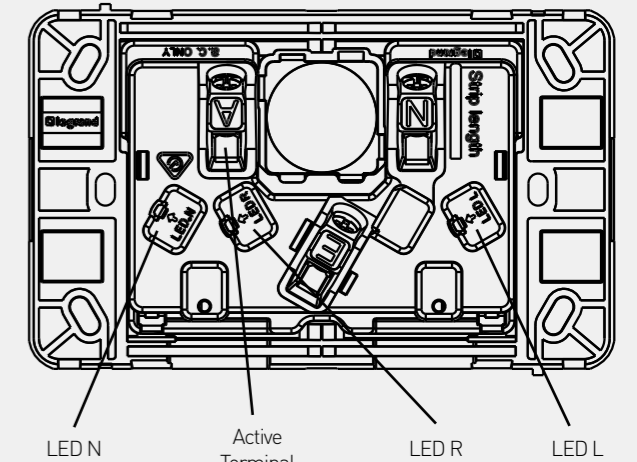


LED power supplied/power available indicator kits

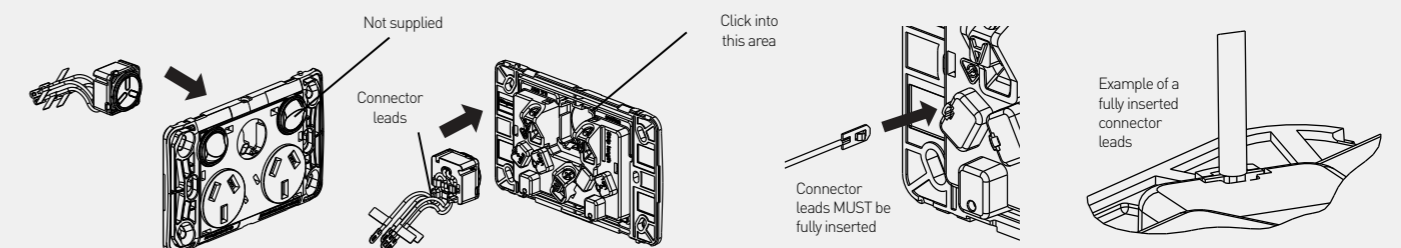
Wiring

Wire/lead marking	LED N	LED L	LED R	LED	A
EMPAPS2	Neutral	Switched Active (LHS)	Switched Active (RHS)		Active
EMPAPS1	Neutral			Switched active	Active
EMPA	Neutral				Active
EMPS2	Neutral	Switched Active (LHS)	Switched Active (RHS)		
EMPS1	Neutral			Switched active	
EM803LED (power available)**	Neutral				Active
EM803LED (power supplied)	Neutral				Switched active
EM803LED (power available without neutral)**	Switched active				Active

++ = In this mode the LED indicator will be ON whenever there is power available to the product.
** = In this mode the LED indicator will only be ON whenever the associated switch/socket is OFF. The current required to light the indicator when the switch is ON will be bled through the load.



Installation EMPAPS2, EMPAPS1, EMPA, EMPS1, EMPS2, EM803LED LED Power Available/Power Supplied Indicator Kits

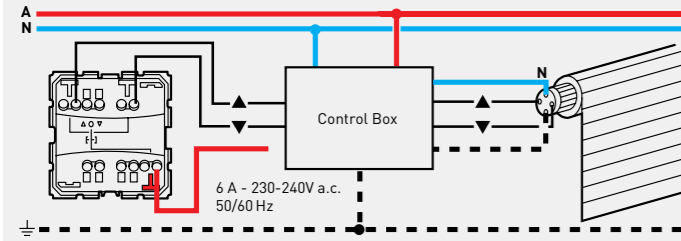


Shutter, blind, curtain control

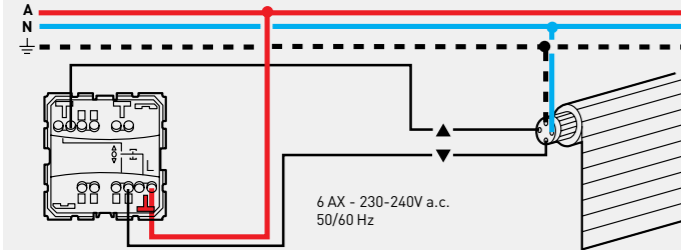
Plates and cut-out dimensions

Wiring

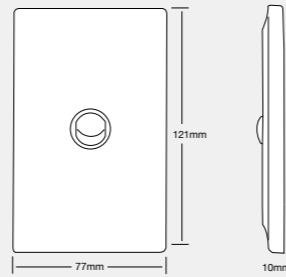
Push-button switch (Cat No EC919WE)



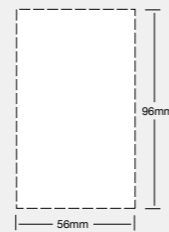
Push-button switch (Cat No EC920WE)



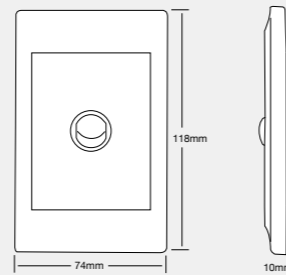
Dedicated plate series dimensions



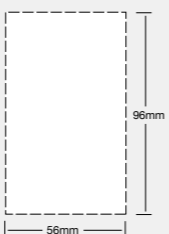
Maximum cut-out dimensions



Common plate series dimensions



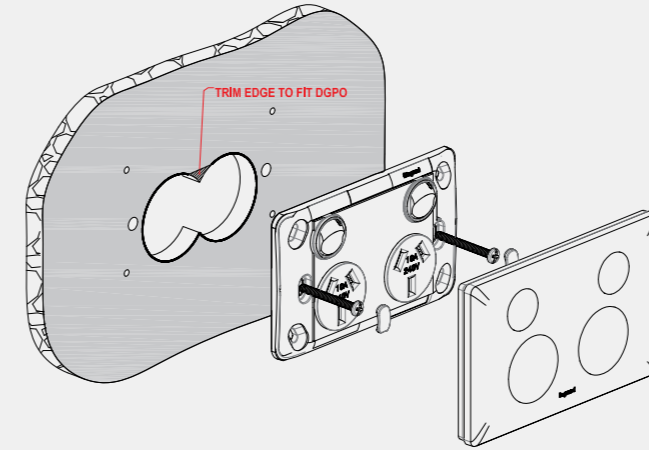
Maximum cut-out dimensions



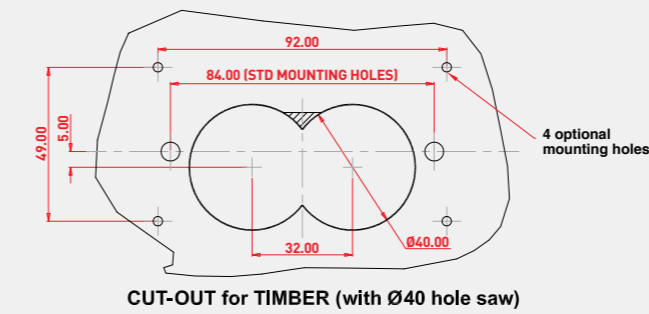
Powerpoint installation details

Hard Surfaces Installations Double powerpoint 10A

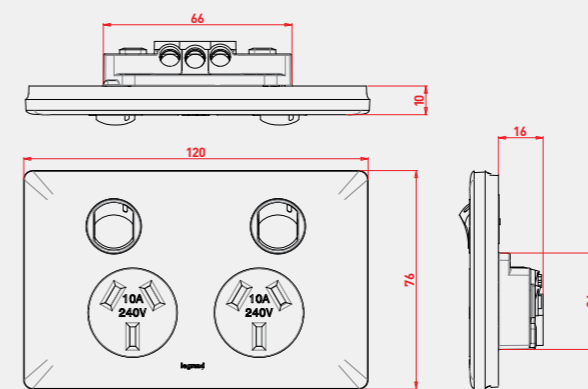
Assembly



Cut-out dimensions



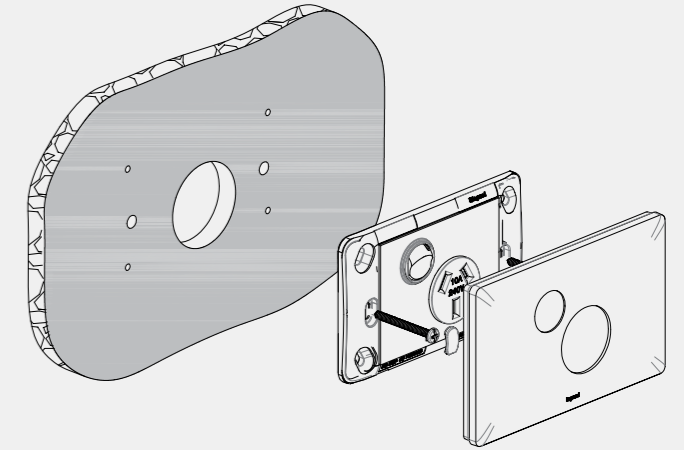
Product dimensions



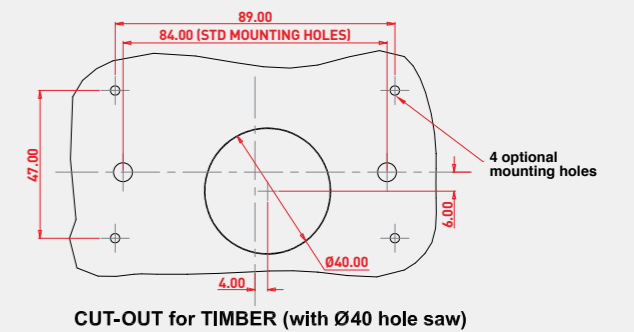
Note:
Cut-out dimensions for other devices are 96mm x 56mm

Single powerpoint 10A

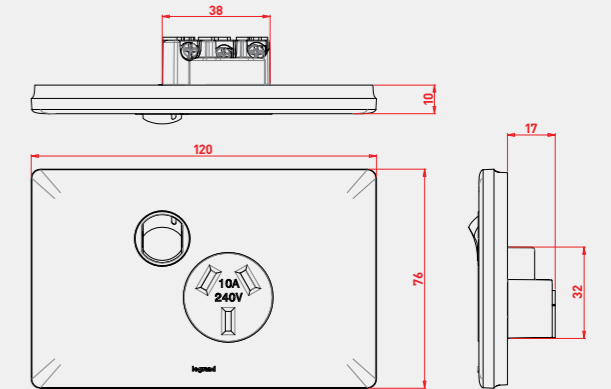
Assembly



Cut-out dimensions

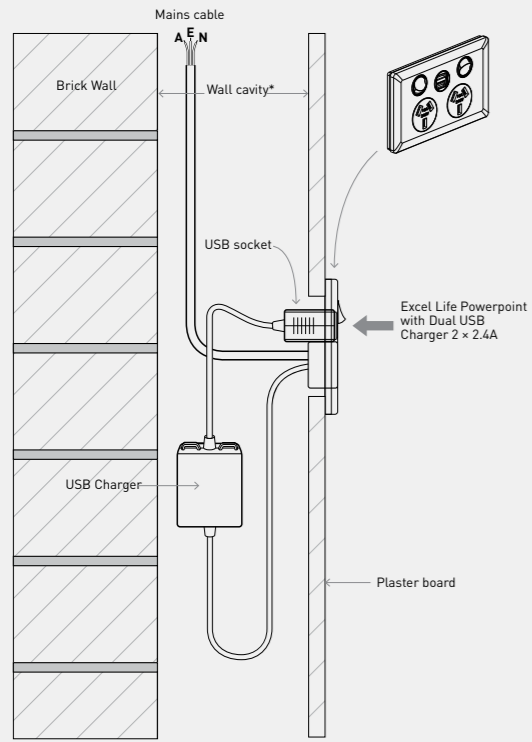


Product dimensions



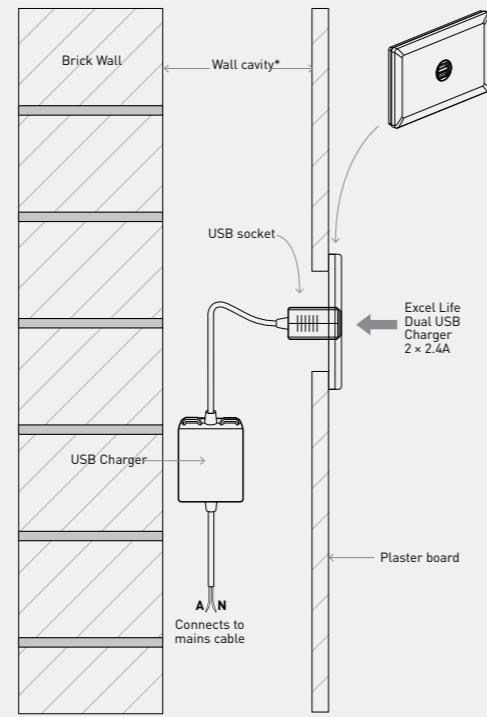
USB Chargers installation details

Installation in plasterboard – USB Powerpoint



e.g. ED777USB2PSAWE

Installation in plasterboard – USB Charger



e.g. EMUSB2PSAWE + ED770/1GPLWE

Disclaimer: The information provided in this document is intended for informational purposes only has been prepared and reviewed with all reasonable care, believed to be correct at the time of printing. Legrand Australia and New Zealand may also make improvements and/or changes in the products, pricing and/or programs described in this information at any time without notice.



Legrand Australia
Building 4, Nexus Industry Park
43-47 Lyn Pde Prestons NSW 2170
1300 369 777
www.legrand.com.au

Legrand New Zealand
106-124 Target Road Glenfield
Auckland 0627 New Zealand
0800 476 009
www.legrand.co.nz